



Customs AEP EDIFACT Trader Guide

Version Control

VERSION	DATE	CHAPTER	CHANGE
0.1 (Draft)	18/11/2005	1, 2, 3, 4, Appendix A	Draft document published
0.2 (Draft)	10/12/2005	2	Section 2.5 added
		3	Segment Specification: <ul style="list-style-type: none"> The mandatory/conditional status of a segment element has changed.
		4	Message Structure Diagram: <ul style="list-style-type: none"> No of occurrences for some segments updated Correlation Table: <ul style="list-style-type: none"> Added transport type Box 44 Certificate Serial Number - qualifier removed Segment Outline: <ul style="list-style-type: none"> An additional segment has been added to the outline. Segment Specification: <ul style="list-style-type: none"> The status of some segment elements have changed to used/not used. The mandatory/conditional status of some segment elements have changed. Some segment element formats have changed. Multiple Sections: <ul style="list-style-type: none"> Box 23 Exchange Rate - 6347 removed Box 34b Region of Origin – 3227 modified Box 1.1 & 1.2 have been grouped
		5	SAD CUSRES message added
		6	CUSENQ message added
		7	CUSEQR message added
		0.3 (Draft)	27/07/2006
Appendix B	Appendix B: Deviations from 96b chapter added		
Appendix C	Appendix C: Customs Technical Reference Lists added		
1	Updated Section 1.1.		
2	Updated Section 2.8		
3	<ul style="list-style-type: none"> Added notes to Section 3.1 Updated Association Assigned Code – UNH segment 		
Appendix A	<ul style="list-style-type: none"> Added Association Assigned Code list Updated 0065, 1001, 1131, 1153, 2005, 7077 lists Removed 4440#5 list 		

VERSION	DATE	CHAPTER	CHANGE
		5	<p>Correlation Table:</p> <ul style="list-style-type: none"> Renamed Box 48 – Trader Registration Number to Box 48 – Deferred Payment <p>Segment Specification:</p> <ul style="list-style-type: none"> The status of some segment elements has changed to used/not used. The mandatory/condition status of some segment elements has changed. Some segment element formats have changed. <p>Multiple Sections:</p> <ul style="list-style-type: none"> Updated Association Assigned Code – UNH segment Group 6 removed Message Title replaced by Message Type Code and BGM 1000 changed to BGM 1225. Added Sending Date Element. Customs Declaration (SAD) Number Assigned by Customs changed from RFF to BGM segment. Added Validation Error Type Code element.
		6	<p>Segment Specification:</p> <ul style="list-style-type: none"> The status of some segment elements has changed to used/not used. <p>Multiple Sections:</p> <ul style="list-style-type: none"> Updated Association Assigned Code – UNH segment Customs Declaration (SAD) Number Assigned by Customs changed from RFF to BGM segment. BGM 1000 changed to BGM 1225 for all request type codes Box 1 – Declaration Type changed from GIS segment to BGM segment.
		7	<p>Segment Outline:</p> <ul style="list-style-type: none"> Segment Outline of Group 7 and Group 9 re-arranged. <p>Segment Specification:</p> <ul style="list-style-type: none"> The status of some segment elements has changed to used/not used. The mandatory/condition status of some segment elements has changed. Some segment element formats have changed. <p>Multiple Sections:</p> <ul style="list-style-type: none"> Updated Association Assigned Code – UNH segment BGM 1000 changed to BGM 1225 for all response type codes Customs Declaration (SAD) Number Assigned by Customs changed from RFF to BGM segment in some messages. Added Validation Error Type Code element. Box 1 – Declaration Type changed from GIS segment to BGM segment.
0.4 (Draft)	25/10/2006	5	<p>Correlation Table:</p> <ul style="list-style-type: none"> Validation Error Type Code element has been changed Field Name element position has been changed
		7	<p>Correlation Table:</p> <ul style="list-style-type: none"> Validation Error Type Code element has been changed Field Name element position has been changed
		Appendix C	Appendix C has been removed. The content is now located in the Customs Technical Reference List document.
		1	Added section 1.3.
		4	<p>Multiple Sections:</p> <ul style="list-style-type: none"> Box 44 –Attached Documents, Certificates, Authorisation number size increased from an35 to an255.

VERSION	DATE	CHAPTER	CHANGE
		4	Correlation Table: <ul style="list-style-type: none"> The External reference lists have been updated to match the trader guide. Consignor, Consignee, Declarant Address names have been updated.
0.5 (Draft)	02/11/2006		Correlation Table: The External reference lists have been update to match changes in the Customs Technical Reference List
0.6 (Draft)	17/11/2006	9	Association Assigned Codes, added to Appendix A "PII" added to 1131 Code List
0.7 (Draft)	08/12/2006	4	Correlation Table: <ul style="list-style-type: none"> Box 15a element 3224 changed to 3225. Box 18.1 – value 13 for Imports added to element 8051. Box 49 changed to 1 element to match XML schema. Numbering sequence changed to coincide Trader Guide. Elements with a value "ZZZ" are changed.
		Appendix A	New codes have been added to Appendix A.
0.8	08/01/2007		Removed Draft Status
0.9	11/01/2007		Revert order of Agent elements to pre 0.7 draft.
0.9.1	26/02/2007	4	Change in number of occurrences of additional information - FTX segment at position 1230 from C9 to C300 to cater for CAP codes.
1.0	30/03/2007	6	Updated the Customs Enquiry Request specification
		7	Updated the Customs Enquiry Response specification
		Appendix A	New codes have been added to Appendix A
		Appendix B	Appendix B has been updated.
1.0.1	27/04/2007	4	Updates Message Structure Diagram to indicate change at Item level Occurrences for Additional Information and Additional Documents
1.02	26/05/2007	5	Updated wording of external ref list for Validation Error Type Code in the Correlations – EDIFACT/SAD Response.

TABLE OF CONTENTS

TABLE OF CONTENTS	5
1. INTRODUCTION	6
1.1 PURPOSE OF DOCUMENT.....	6
1.2 MESSAGE STANDARDS.....	8
1.3 RELATED DOCUMENTS.....	8
2. OUTLINE OF EDIFACT	9
2.1 OVERVIEW.....	9
2.2 GENERAL STRUCTURE.....	9
2.3 EDIFACT MESSAGE SYNTAX.....	11
2.4 MESSAGE STRUCTURE DIAGRAM SYNTAX.....	12
2.5 CORRELATION TABLE SYNTAX.....	13
2.6 IRISH EDIFACT REQUIREMENTS.....	13
2.7 FUTURE MESSAGE DEVELOPMENTS.....	13
2.8 EDIFACT AND SAD CODE DIFFERENCES.....	14
3. MESSAGE INTERCHANGE ENVELOPES & SERVICE SEGMENTS	15
3.1 INTERCHANGE ENVELOPES.....	15
3.2 SERVICE SEGMENTS.....	16
4. SAD DECLARATION MESSAGE (CUSDEC)	18
4.1 MESSAGE STRUCTURE DIAGRAM.....	18
4.2 SEGMENT OUTLINE.....	20
4.3 SEGMENT SPECIFICATION.....	25
4.4 CORRELATIONS – EDIFACT / SAD.....	32
5. SAD RESPONSE MESSAGE (CUSRES)	37
5.1 MESSAGE STRUCTURE DIAGRAM.....	37
5.2 SEGMENT OUTLINE.....	38
5.3 SEGMENT SPECIFICATION.....	40
5.4 CORRELATIONS – EDIFACT / SAD RESPONSE.....	43
6. ENQUIRY MESSAGE (CUSENQ)	44
6.1 MESSAGE STRUCTURE DIAGRAM.....	44
6.2 SEGMENT OUTLINE.....	45
6.3 SEGMENT SPECIFICATION.....	46
6.4 CORRELATIONS – EDIFACT / ENQUIRY.....	48
7. ENQUIRY RESPONSE MESSAGE (CUSEQR)	50
7.1 MESSAGE STRUCTURE DIAGRAM.....	50
7.2 SEGMENT OUTLINE.....	51
7.3 SEGMENT SPECIFICATION.....	53
7.4 CORRELATIONS – EDIFACT / ENQUIRY RESPONSE.....	56
8. ERROR MESSAGES	61
8.1 APPLICATION ERROR AND ACKNOWLEDGEMENT MESSAGE (APERAK).....	62
9. APPENDIX A – EDIFACT REFERENCE CODE LISTS	65
10. APPENDIX B: DEVIATIONS FROM EDIFACT D96B SPECIFICATION	73
10.1 SAD DECLARATION MESSAGE (CUSDEC).....	73
10.2 SAD RESPONSE MESSAGE (CUSRES).....	74
10.3 ENQUIRY MESSAGE (CUSENQ).....	74
10.4 ENQUIRY RESPONSE MESSAGE (CUSEQR).....	75
10.5 APPLICATION ERROR AND ACKNOWLEDGEMENT MESSAGE (APERAK).....	75

1. INTRODUCTION

1.1 Purpose of Document

This document outlines the technical details of all EDIFACT messages to be sent to the Automated Entry Processing (AEP) system for Irish Customs. It defines all import and export messages for SAD declarations. The messages are based on the EDIFACT 96B directory. They are an Irish subset of Customs Declaration message (CUSDEC), and the Customs Response message (CUSRES).

Overview of Document

This section provides an overview of the document with a brief description of each chapter as outlined below.

Chapter 1 – Introduction

This section contains an introduction and overview of the document.

Chapter 2 – Outline of EDIFACT

This section contains an outline of EDIFACT. It covers the general structure, message syntax, message structure diagram syntax, the Irish EDIFACT requirements and any differences between codes used in EDIFACT and those used in the printed SAD.

Chapter 3 – Message Interchange Envelopes

This section contains details of the interchange segments to be sent with all messages.

Chapter 4 – SAD Declaration Message (CUSDEC)

This section contains information on the Irish subset of the 96B CUSDEC message, used to submit a SAD. It contains the following sections:

SUB-SECTION	PURPOSE
Message Branching Diagram	High-level diagram of the message
Segment Outline	High-level outline of the segments used in the message, ordered by appearance
Segment Specification	Low-level outline of the element specifications for each segment, ordered alphabetically
Correlation Table	A table specifying correlations such as those between the SAD boxes and the segment elements

Chapter 5 – SAD Response Message (CUSRES)

This section contains information on the Irish subset of the 96B CUSRES message that will be sent in response to a CUSDEC message. It contains the following sections:

SUB-SECTION	PURPOSE
Message Branching Diagram	High-level diagram of the message
Segment Outline	High-level outline of the segments used in the message, ordered by appearance
Segment Specification	Low-level outline of the element specifications for each segment, ordered alphabetically
Correlation Table	A table specifying correlations such as those between the SAD boxes and the segment elements

Chapter 6 – Enquiry Request Message (CUSENQ)

This section contains information on the CUSENQ message, which is a customised Irish subset of the 96B CUSDEC message. It will be used to submit enquiry requests to Irish Customs. It contains the following sections:

SUB-SECTION	PURPOSE
Message Branching Diagram	High-level diagram of the message
Segment Outline	High-level outline of the segments used in the message, ordered by appearance
Segment Specification	Low-level outline of the element specifications for each segment, ordered alphabetically
Correlation Table	A table specifying correlations such as those between the SAD boxes and the segment elements

Chapter 7 – Enquiry Response Message (CUSEQR)

This section contains information on the CUSEQR message, which is a customised Irish subset of the 96B CUSRES message. It will be sent in response to an enquiry request made to Irish Customs. It contains the following sections:

SUB-SECTION	PURPOSE
Message Branching Diagram	High-level diagram of the message
Segment Outline	High-level outline of the segments used in the message, ordered by appearance
Segment Specification	Low-level outline of the element specifications for each segment, ordered alphabetically
Correlation Table	A table specifying correlations such as those between the SAD boxes and the segment elements

Chapter 8 – Error Messages

This section contains information on the CONTRL and APERAK messages, which are sent to a trader to report errors present in messages submitted to Irish Customs. There is a brief description of the CONTRL message and a detailed specification of the APERAK message, which contains the following sections:

SUB-SECTION	PURPOSE
Message Branching Diagram	High-level diagram of the message
Segment Outline	High-level outline of the segments used in the message, ordered by appearance
Segment Specification	Low-level outline of the element specifications for each segment, ordered alphabetically
Correlation Table	A table specifying correlations such as those between the SAD boxes and the segment elements

Appendix A – EDIFACT REFERENCE CODE LISTS

This section contains the EDIFACT reference code lists used by Irish Customs. More general code lists can be found with the reference lists provided with the business guides.

Appendix B – DEVIATIONS FROM D96B SPECIFICATION

This section contains the deviations that Customs have chosen to undertake in order to satisfy the requirements of SAD 2006 and Irish Revenue. Differences between the specifications are highlighted per message.

1.2 Message Standards

The following standards are used to define the messages:

- UN/EDIFACT Syntax Rules – ISO 9735
- UN/EDIFACT Syntax Implementation Rules
- UN/EDIFACT Segments Directory (EDSD)
- UN Trade Data Elements Directory (UNTDDED)
- Single Administrative Message (SAM)
- The various required code sets

1.3 Related Documents

The following documents are to be used in conjunction with this guide:

- **Trader Guide** – Customs Trader Guide published by the Revenue Commissioners.
- **Customs Technical Reference Lists** – Technical reference Lists published by the Revenue Commissioners.

2. OUTLINE OF EDIFACT

2.1 Overview

EDIFACT is a set of principles, which facilitate the transmission of electronic business data between groups such as exporters, government agencies, manufacturers, distributors, retailer, shippers and forwarders. EDIFACT stands for Electronic Data Interchange For Administration, Commerce and Transport. EDIFACT was developed in response to Electronic Data Interchange (EDI) developments.

2.2 General structure

Interchange

An interchange is one transmission containing one EDIFACT message. The EDIFACT interchange envelope defines the start and end of one transmission. This interchange envelope consists of two segments, the interchange header UNB and the interchange trailer UNZ. The values in UNB 0020 and UNZ 0062 must match.

Message

A UN/EDIFACT message consists of logically grouped segments. Each message starts with a header segment and ends with a trailer segment.

Depending on size and type, messages can be divided into three distinct sections: header, detail and trailer. A header section will contain data that is relevant to the whole message. The detail section contains data relevant to a particular item that can occur a number of times within the message (e.g. invoice line, customs item). The trailer section contains summary and control information relevant to the whole message.

Segment

A data segment is an intermediate unit of information in a message. It is uniquely identified by a 3 character mnemonic tag, which is used as a reference to a common group of business information. It consists of a set of pre-defined, functionally related data elements. These elements are identified by their sequential positions within the set. Segments can be mandatory or conditional. In general, only specified segments such as the leader segments (i.e. segments at the head of a message or at the head of a segment group) and certain trailer segments along with some service segments are mandatory. The specific mandatory or conditional status of a segment does not necessarily have any relationship with the mandatory or conditional status of the data requirements in a message.

Each data segment has a specific position within the sequence of segments in a message. Segments can appear as single segments (i.e. on their own) or as part of a predefined segment group.

Service Segment

A service segment is a segment that contains non-business related data. These segments usually encompass interchanges and messages in the form of headers, trailers, and sections controls. For example, the UNB and UNZ service segments are header and trailers for an interchange and the UNH and UNT segments are service segments for a message, while the UNS service segments are used to differentiate between the header, detail, and trailer sections within a message. The values in UNH 0062 and UNT 0062 must match.

Segment Group

A segment group is a collection of segments that are related within a message structure. A simple example would be a group for payment details. This would typically include a segment for the type of tax due (using TAX), the actual amount (using MOA) and the method of payment (using GIS). This would result in the TAX-MOA-GIS Segment Group.

Composite Element

A composite element is a lower level of detail to identify business data within a segment. It is normally used when a data item requires additional information. Each composite element has a unique code identifying it. A composite element could be used, for example, when a data item is in the form of a code and it requires a type qualifier. In this case, composites are used as they contain a group of data elements.

Data Element

A data element is the lowest level within the EDIFACT structure for holding data. Each data element has a unique code identifying it. A data element can exist as a stand-alone element or as a sub-element within a composite element. Data elements, like segments can have a status of either mandatory or conditional. Like the segment status, the element status has no relation to the SAD input requirements.

For the purpose of this specification the business codes will be those used for the completion of a SAD. Some data elements have associated code lists, which are published by organisations such as the International Standards Organisation (ISO). However, the United Nations also has its own code lists and, in addition, it is often possible for a trading partner to use their own.

Note that some data elements used in these specifications have their own associated restricted list of codes. Where possible, these are based on international standards. However, some of them have been created where the international standards are not suited to the Irish requirements of this system. A list of EDIFACT codes used within these specifications is provided at the end of this guide.

Transmission Structure

The structure of an EDIFACT transmission would look like this:

- UNB** Interchange Header
- UNH** Message Header
- User Data Segments
- UNT** Message Trailer
- UNZ** Interchange Trailer

2.3 EDIFACT Message Syntax

Reserved Characters

In order to identify where data lies within an EDIFACT message, data segment/element separators are used. These reserved characters are:

'	=	Segment terminator
+	=	Segment tag and data element separator
:	=	Component data element separator
?	=	Reserved character release character

The purpose of the '?' is to return the reserved character to normal use. This is done by placing the '?' directly before the reserved character. For example within the EDIFACT syntax 10+10 does not = 20.

Because '+' is a reserved character, if it appears on its own, it is regarded as a data separator and not as an arithmetic sign. To use a character as an arithmetic sign, the following syntax must be used:

10?+10=20

Note: If one or more conditional elements occurs at the end of one occurrence of a segment but does not occur at the end of another occurrence, there should not be a preceding '+' for the second occurrence as the element will not be present and therefore does not need to be separated from previous elements in the segment. This element must be excluded by truncation using the data element separator, if at the end of a composite data element or, by the segment terminator, if at the end of a segment.

For example,

TAG+X:Y:Z+20'

represents a sample EDIFACT segment, where X, Y, and Z belong to a composite. If say Y and Z were truncated then the EDIFACT would be as follows:

TAG+X+20'

In the case where, composite 20 is truncated, then the EDIFACT would be as follows:

TAG+X:Y:Z'

In the case where, X and Y were truncated then the EDIFACT would be as follows:

TAG+::Z+20'

Numeric Sign Values

All numbers are assumed to be positive unless explicitly stated. For example a positive value of 100 will simply be transmitted as 100. A negative value for 100 is transmitted as -100. If a value is negative, the number is immediately preceded by a minus sign.

The minus sign will not count as a character for computing the maximum field size of a data element. However, allowance has to be made for the character in transmission and reception.

Decimal Point

When a decimal point is transmitted, there must be at least one digit before and after the decimal point, as shown below:

NOT ALLOWED	ALLOWED
.5	0.5
5.	5.0
	5

The decimal point does not count for computing maximum field size of the data element but allowance must be made for transmission and reception.

Triad Separator

Special characters cannot separate large numbers.

NOT ALLOWED	ALLOWED
25,000,000	25000000
25.000.000	
25 000 000	

2.4 Message Structure Diagram Syntax

This section presents an overview of the EDIFACT Message Structure Diagrams for the messages used in the Customs AEP system, and is provided for information only. It states how EDIFACT UNSMs (United Nations Standard Message) are used for implementing these messages. A message structure diagram describes the hierarchy, sequence, repeat count, and status of the segments in the message as published in the UN/EDIFACT Directory.

Every Customs AEP message is mapped to a particular UNSM. The UNSMs to be used are CUSDEC and CUSRES. These messages are mapped to the D96B directory of EDIFACT UNSMs.

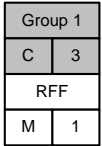


Every UNSM should be considered as a hierarchy of EDIFACT segments and/or EDIFACT segment groups, which needs to be built according to the standard EDIFACT rules.

This document defines which parts of the UNSMs are used, and which modifications have been introduced for the UNSMs. As not all parts and components of the UNSMs are needed in order to implement the messages, only those elements and components from the UNSMs that are foreseen for each message are shown in the relevant sections.

Components

The diagrams contain the following components:

<table border="1"> <tr> <td colspan="2">BGM</td> </tr> <tr> <td>M</td> <td>1</td> </tr> </table>	BGM		M	1	<p>Segment</p> <p>The segment tag is in the top of the box (BGM in this example). The bottom left is where the segment usage is specified as M for Mandatory or C for Conditional. The bottom right part of the box denotes the number of times the segment may occur (1 in this example). If the number is 9, 99, 999, etc., it denotes that the segment may repeat that number of times or less. If the number is specified as 999, then it repeats 999 times, essentially denoting infinite occurrences.</p>
BGM					
M	1				

	<p>Segment Group The group number on the top line (Group 1 in this example) gives a sequential number for segment groups throughout the message. Every segment group has a unique number. Following the usage and repeat factor of the group (C3 in this example), the trigger segment is identified (RFF in this example). A trigger segment is always Mandatory (it must be used if the segment group is used) as it contains the key to which all subsequent segments in the group relate. Moreover, a trigger segment should appear at least once within the occurrence of a group.</p>
	<p>Connector Connectors denote the reference for where the message continues to or from. Connectors are labelled A, B, C etc.</p>
	<p>Solid Lines Solid lines connect the different segments and groups. A solid line should be understood as "consists of".</p>

The diagrams are read from left to right and from top to bottom. When different segments and/or groups are present at the same level, this should be understood as "consists of the sequence of the following items".

2.5 Correlation Table Syntax

In the correlation table, some elements might specify that elements from another segment have a qualifier value. The reason for this is to specify the occurrence of the group to which a segment belongs.

For example:

In the CUSDEC, box 36 - preference code and box 39 - Quota, is specified as an RFF segment, but the code value has an additional GIS(1131) value. This is to identify the element in relation to the group occurrence, in this case group 40. The GIS element essentially acts as the starting element, or as a "trigger" element, of the group.

2.6 Irish EDIFACT Requirements

The information contained in this guide relates only to the current Irish Customs EDIFACT requirements.

The reserved characters to be used are the same as those outlined in the previous section (i.e. + : ' ?). The same usages also apply.

An explicit decimal point must be shown for all appropriate numeric data being transmitted in an EDIFACT message.

It is important to note that there may be differences between the printed SAD and the EDI SAD.

2.7 Future Message Developments

Further amendments may be required in the event of extra data requirements being specified. For example, if an EC directive were to be issued in relation to capturing specific data that is not currently required, amendments may have to be made to the current Irish EDIFACT subset to take account of this. In this situation, the structure of the CUSDEC or CUSRES is not affected but Irish Customs may require using segments in the existing structure, which were not initially used.

Changes to the code list may be required from time to time, depending on the development of the international EDIFACT code lists and Irish Customs data requirements.

2.8 EDIFACT and SAD Code Differences

It should be noted that there are differences between the standard code sets used for EDIFACT Messages and the code sets used for the printed SAD. These differences arise because EDIFACT messaging is a worldwide concept that encompasses more than customs requirements (e.g. invoicing, transportation information etc.) The SAD on the other hand is a European concept that deals specifically with customs and statistical requirements.

The Previous Revenue AEP implementation of EDIFACT used EDIFACT code list where this publication uses SAD code lists. However the EDIFACT also requires Technical codes, which are included in the Customs Technical Reference List document.

3. MESSAGE INTERCHANGE ENVELOPES & SERVICE SEGMENTS

3.1 Interchange Envelopes

This section outlines the segments of the message interchange envelope for messages.

Note 1: For Direct Trader Input (DTI) transmitted between Trader and the Revenue On-Line Services (ROS) using Web Service Protocol, the EDIFACT Messages will be wrapped in a web services envelope for communication over the web with Revenue On-Line Services. Many of the fields that are usually facilitated in the interchange envelopes have now been catered for at the web services level. For example, the sender identification is verified via the digital certificate that is used in conjunction with the web service to submit a message. Therefore many of the mandatory EDIFACT fields that are populated at this level will be ignored. The values in the fields will not be validated and the values will not be the same on the outbound messages.

Note 2: For all messages sent to the customs system i.e. CUSDEC, CUSENQ, the recipient identification must be set to code value "REV.IE". For all messages sent from the customs system i.e. CUSRES, CUSEQR, the sender identification will be set to the code value "REV.IE". The sender identification will be ignored going into customs and the recipient identification will be set to the trader identifier in the digital certificate. See note 1 about field validation.

Note 3: The interchange control reference number at the UNB and UNZ segments and the message control reference number at the UNH and UNT segments will not be validated and the values will be ignored as per Note 1. A default value of 0 will be applied to both reference numbers in their respective segments for messages sent from customs.

Header Section

UNB Interchange Header
This segment identifies the start of an interchange.

UNB		INTERCHANGE HEADER		
Function: To start, identify and specify an interchange				
<u>S001 SYNTAX IDENTIFIER</u>		<u>M</u>		
0001 Syntax Identifier	M	a4	UNOC	
0002 Syntax Version Number	M	n1	3	
<u>S002 INTERCHANGE SENDER</u>		<u>M</u>		
0004 Sender identification	M	an..35		
0007 Identification code qualifier	C	an..4	not used	
0008 Address for reverse routing	C	an..14	not used	
<u>S003 INTERCHANGE RECIPIENT</u>		<u>M</u>		
0010 Recipient identification	M	an..35		
0007 Identification code qualifier	C	an..4	not used	
0014 Routing address	C	an..14	not used	
<u>S004 DATE/TIME OF PREPARATION</u>		<u>M</u>		
0017 Date	M	n6		
0019 Time	M	n4		
<u>0020 INTERCHANGE CONTROL REFERENCE</u>		<u>M</u>		
			an..14	

<u>S005 RECIPIENTS REFERENCE, PASSWORD</u>	<u>C</u>		
0022 Recipient's reference/password	M	an..14	not used
0025 Recipient's reference/password qualifier	C	an..2	not used
<u>0026 APPLICATION REFERENCE</u>	<u>C</u>	an..14	not used
<u>0029 PROCESSING PRIORITY CODE</u>	<u>C</u>	a1	not used
<u>0031 ACKNOWLEDGEMENT REQUEST</u>	<u>C</u>	n1	not used
<u>0032 COMMUNICATIONS AGREEMENT ID</u>	<u>C</u>	an..35	not used
0035 TEST INDICATOR	C	n1	not used

Trailer Section

UNZ Interchange Trailer
 This segment is used as a control segment. The number of messages in an interchange is identified here. Also the reference number in the UNB is specified in the UNZ for control purposes.

UNZ	INTERCHANGE TRAILER
Function: To end and check the completeness of an interchange	

<u>0036 INTERCHANGE CONTROL COUNT</u>	<u>M</u>	n..6
<u>0020 INTERCHANGE CONTROL REFERENCE</u>	<u>M</u>	an..14

3.2 Service Segments

This section outlines the various service segments used within an EDIFACT message.

Header Section

UNH Message Header
 A service segment starting and uniquely identifying a message. The message type code must be specified.

UNH	MESSAGE HEADER
Function: To start, identify and specify a message	

0062 Message Reference Number	M	an14	
<u>S009 MESSAGE IDENTIFIER</u>	<u>M</u>		
0065 Message Type	M	an..6	See 0065 codes in Appendix A
0052 Message Version Number	M	an..3	'D'
0054 Message Release Number	M	an..3	'96B'
0051 Controlling Agency	M	an..2	'UN'
0057 Association Assigned Code	M	an..6	See 0057 codes in Appendix A
<u>0068 COMMON ACCESS REFERENCE</u>	<u>C</u>	an..35	not used
<u>S010 STATUS OF TRANSFER</u>	<u>C</u>		
0070 Sequence of transfers	M	n..2	not used
0073 First and Last transfer	C	a..1	not used

Trailer Section

UNT Message Trailer
 This segment is used as a control segment. The number of segments in a message is identified here. Also the reference number in the UNH is specified in the UNT for control purposes.

UNT	MESSAGE TRAILER
Function: To end and check the completeness of a message	

<u>0074 NUMBER OF SEGMENTS IN THE MESSAGE</u>	<u>M</u>	n..6
No. of segments in a message		
<u>0062 MESSAGE REFERENCE NUMBER</u>	<u>M</u>	an..14

Section Control

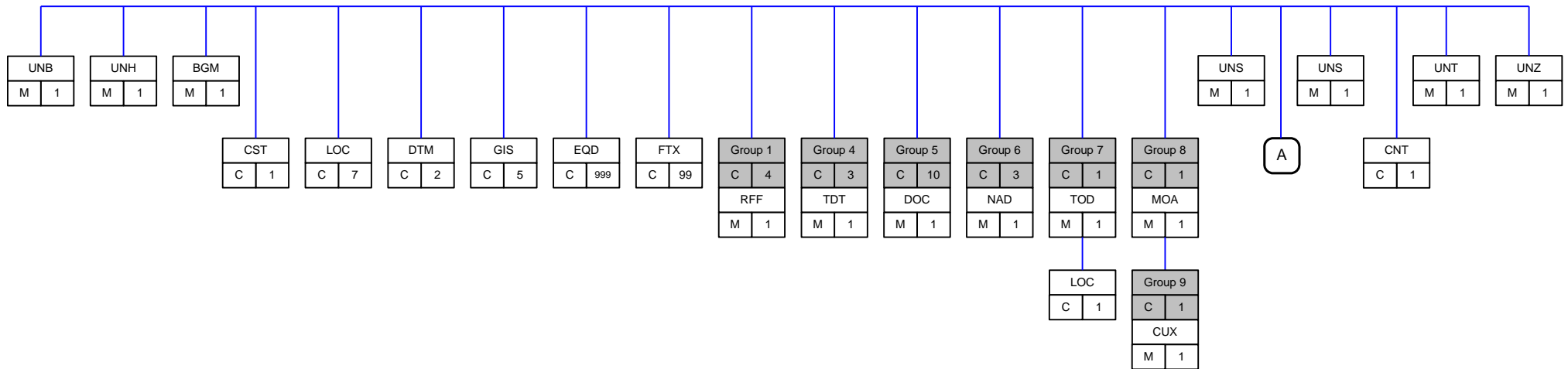
UNS Section Control
 A service segment is placed at the beginning of the detail/summary section to indicate the start of that section.

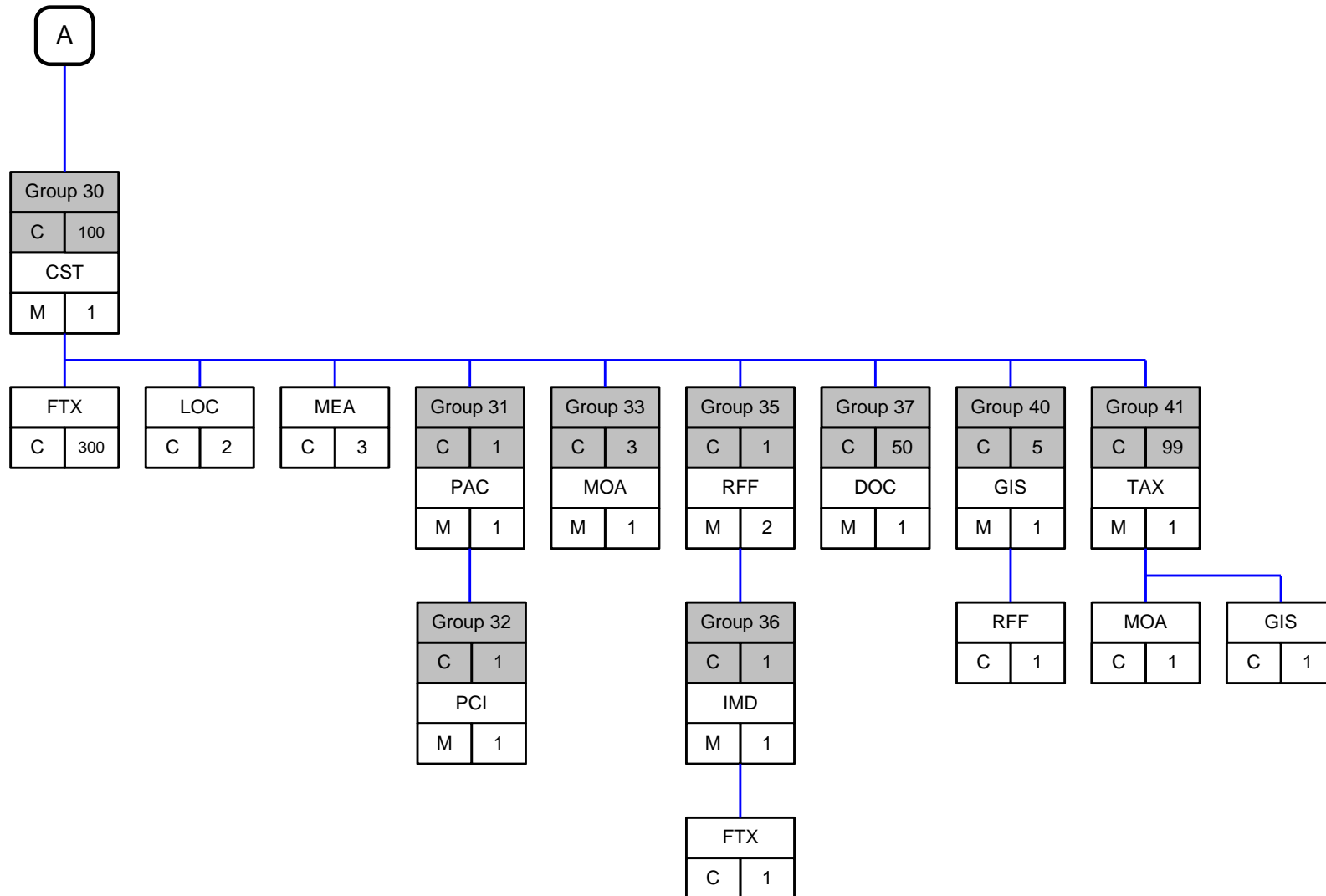
UNS	SECTION CONTROL
Function: To indicate the start of a detail section or a summary section.	

<u>0081 SECTION IDENTIFICATION</u>	<u>M</u>	a1	See 0081 codes in Appendix A
------------------------------------	----------	----	------------------------------

4. SAD DECLARATION MESSAGE (CUSDEC)

4.1 Message Structure Diagram





4.2 Segment Outline

Header Section

- 0010 **UNH** Message Header
 A service segment starting and uniquely identifying a message. The message type code for the Customs declaration message is CUSDEC.

 Note: Customs declaration messages conforming to this document must contain the following data in segment UNH, composite S009:

 Data element 0065 CUSDEC
 0052 D
 0054 96B
 0051 UN
 0057 IEA001

- 0020 **BGM** Beginning of message
 A segment identifying the declaration type and reference.

- 0030 **CST** Customs status of goods
 A segment identifying the customs procedure and status of the goods relevant to the whole message.

- 0040 **LOC** Place / location identification
 A segment identifying a place or location relevant to the entire message. For example, port of loading, office of entry, etc.

- 0050 **DTM** Date / time / period
 A segment identifying dates, times or periods relevant to the whole message. For example, actual date of arrival, elected date of presentation, etc.

- 0060 **GIS** General indicator
 A segment identifying the various indicators required by a customs system. For example, special programs, release certification, duty free eligibility under GSP, etc.

- 0090 **EQD** Equipment details
 A segment identifying the equipment (e.g. container id.) used to transport all the goods related to the whole declaration (message).

- 0110 **FTX** Free text
 A segment explaining the reasons or actions undertaken in processing a message.

- 0120 **Group 1: RFF-DTM-SG2**
 A group of segments identifying various references, manifest quantities and package identities relevant to the whole message.

- 0130 **RFF** Reference
 A segment identifying the various references relevant to the whole message.

- 0200 **Group 4: TDT-TPL**
 A group of segments identifying the mode, means and identification of the transport used.

- 0210 **TDT** Details of transport
 A segment identifying the mode and means of transport used.

- 0230 **Group 5: DOC-DTM-LOC**
A group of segments identifying documentary requirements where they are needed as supporting information for the entire message.
- 0240 **DOC** Document / message details
A segment identifying a specific document required as supporting information for the entire message.
- 0270 **Group 6: NAD-RFF-CTA-COM**
A group of segments identifying the parties relevant to the whole message, with their related references, contacts, and communication numbers.
- 0280 **NAD** Name and address
A segment identifying the parties relevant to the entire message. For example importer, ultimate consignee, etc.
- 0320 **Group 7: TOD-LOC-FTX**
A group of segments identifying the terms of delivery pertinent to the entire message.
- 0330 **TOD** Terms of delivery or transport
A segment identifying terms of delivery, relevant to the entire message, in a coded format.
- 0340 **LOC** Place / location identification
A segment identifying a location related to the terms of delivery identified in TOD.
- 0360 **Group 8: MOA-SG9**
A group of segments identifying monetary amounts, currencies and their exchange rates, when required for the whole declaration.
- 0370 **MOA** Monetary amount
A segment identifying a monetary function and up to five monetary amounts.
- 0380 **Group 9: CUX-DTM**
A group of segments identifying currencies, a rate of exchange and a related date for a monetary amount identified within this group.
- 0390 **CUX** Currencies
A segment identifying currencies and the rate of exchange for a monetary amount identified within this group.

Detail Section

- 0410 **UNS** Section control
A service segment placed at the beginning of the detail section to indicate the beginning of that section.

Detail Section – Item Detail

- 1210 **Group 30: CST-FTX-LOC-DTM-MEA-NAD-TDT-SG31-SG33-SG35-SG37-SG38-SG39-SG40-SG41-SG42-SG44**
 A group of segments identifying detailed information for a single customs item of a customs declaration.
- 1220 **CST** Customs status of goods
 A segment identifying the customs tariff of the goods, their required treatment and, where these are different to the header information, the type of declaration and the current status of the goods.
- 1230 **FTX** Free text
 A segment identifying the goods, related to the preceding CST, in narrative form.
- 1240 **LOC** Place / location identification
 A segment identifying the places relevant to a customs item. For example, country of origin, country of export, etc.
- 1260 **MEA** Measurements
 A segment identifying the necessary statistical information requirements related to a tariff number. For example, net weights, volumes, etc.
- 1290 **Group 31: PAC-SG32**
 A group of segments identifying the number, type and reference of the packing units associated with the customs item.
- 1300 **PAC** Package
 A segment identifying the number and type of packages relating to the customs item.
- 1310 **Group 32: PCI-FTX**
 A group of segments identifying marks and labels, and giving the description of single packages associated with a customs item.
- 1320 **PCI** Package identification
 A segment identifying markings and labels on the type of packages reported in the preceding PAC.
- 1340 **Group 33: MOA-SG34**
 A group of segments identifying various monetary amounts, currencies and rates of exchange that pertain to the customs item.
- 1350 **MOA** Monetary amount
 A segment identifying the monetary amounts necessary for statistical and duty purposes.

- 1390 **Group 35: RFF-DTM-GIN-MOA-SG36**
A group of segments identifying references, descriptions, and monetary amounts associated with a customs item.
- 1400 **RFF** Reference
A segment identifying particular references relating to the customs item. For example, the invoice number of any invoice that contains merchandise on this customs item.
- 1440 **Group 36: IMD-FTX**
A group of segments identifying a commercial description for a documented commodity that is associated with this customs line item.
- 1450 **IMD** Item description
A segment identifying the coded industry description of the merchandise on the document line(s) identified in the preceding GIN segment.
- 1460 **FTX** Free text
A segment identifying the documented merchandise in narrative form.
- 1470 **Group 37: DOC-DTM-LOC-NAD**
A group of segments identifying report documentary requirements of particular government agencies, with the optional name and address of the agency involved.
- 1480 **DOC** Document / message details
A segment identifying a document related to a customs item.
- 1590 **Group 40: GIS-PCD-DTM-RFF**
A group of segments identifying special indicators or value data related to the customs item.
- 1600 **GIS** General indicator
A segment identifying any necessary processing indicators where these are required by customs at the item level.
- 1630 **RFF** Reference
A segment identifying a reference related to the preceding GIS.
- 1640 **Group 41: TAX-MOA-GIS**
A group of segments identifying duties / taxes / fees and methods of payment related to a customs item.
- 1650 **TAX** Duty / tax / fee details
A segment identifying the tax type, rate and base associated with a customs item.
- 1660 **MOA** Monetary amount
A segment identifying monetary amounts (e.g. tax / fee amount) associated with the preceding TAX.
- 1670 **GIS** General indicator
A segment identifying an indicator (e.g. method payment indicator) associated with the preceding TAX.

Summary Section

- 1920 **UNS** Section control
A service segment placed at the beginning of the summary section to indicate the start of that section.
- 1930 **CNT** Control total
A segment specifying control totals. For example, the number of commercial documents, the total number of customs item, values, and packages reported in the message.
- 2010 **UNT** Message trailer
A service segment ending a message, giving the total number of segments in the message and the control reference number of the message.

4.3 Segment Specification

BGM	BEGINNING OF MESSAGE		
Function: To indicate the type and function of a message and to transmit the identifying number.			

<u>C002DOCUMENT / MESSAGE NAME</u>	C		
1001 Document / message name, coded	C	an..3	See 1001 codes in Appendix A
1131 Code list qualifier	C	an..3	See 1131 codes in Appendix A
3055 Code list responsible agency, coded	C	an..3	not used
1000 Document / message name	C	an..35	
<u>C106DOCUMENT / MESSAGE IDENTIFICATION</u>	C		
1004 Document / message number	C	an..35	
1056 Version	C	an..9	not used
1060 Revision number	C	an..6	not used
<u>1225 MESSAGE FUNCTION, CODED</u>	C	an..3	
<u>4343 RESPONSE TYPE, CODED</u>	C	an..3	not used

CNT	CONTROL TOTAL		
Function: To provide control total.			

<u>C270CONTROL</u>	M		
6069 Control qualifier	M	an..3	See 6069 codes in Appendix A
6066 Control value	M	n..18	
6411 Measure unit qualifier	C	an..3	not used

CST	CUSTOMS STATUS OF GOODS		
Function: To specify goods in terms of customs identities, status and intended use.			

<u>1496 GOODS ITEM NUMBER</u>	C	n..5	
<u>C246CUSTOMS IDENTITY CODES</u>	C		
7361 Customs code identification	M	an..18	
1131 Code list qualifier	C	an..3	See 1131 codes in Appendix A
3055 Code list responsible agency, coded	C	an..3	not used
<u>C246CUSTOMS IDENTITY CODES</u>	C		
7361 Customs code identification	M	an..18	
1131 Code list qualifier	C	an..3	See 1131 codes in Appendix A
3055 Code list responsible agency, coded	C	an..3	not used
<u>C246CUSTOMS IDENTITY CODES</u>	C		
7361 Customs code identification	M	an..18	
1131 Code list qualifier	C	an..3	See 1131 codes in Appendix A
3055 Code list responsible agency, coded	C	an..3	not used
<u>C246CUSTOMS IDENTITY CODES</u>	C		
7361 Customs code identification	M	an..18	not used
1131 Code list qualifier	C	an..3	not used
3055 Code list responsible agency, coded	C	an..3	not used

CUX	CURRENCIES		
Function: To specify currencies used in the transaction and relevant details for the rate of exchange.			

<u>C504CURRENCY DETAILS</u>	C		
6347 Currency details qualifier	M	an..3	not used
6345 Currency, coded	C	an..3	not used
6343 Currency qualifier	C	an..3	not used
6348 Currency rate base	C	n..4	not used
<u>C504CURRENCY DETAILS</u>	C		
6347 Currency details qualifier	M	an..3	not used
6345 Currency, coded	C	an..3	not used
6343 Currency qualifier	C	an..3	not used
6348 Currency rate base	C	n..4	not used
<u>5402 RATE OF EXCHANGE</u>	C	n..12	
<u>6341 CURRENCY MARKET EXCHANGE, CODED</u>	C	an..3	not used

DOC	DOCUMENT / MESSAGE DETAILS		
Function: To identify documents, either printed, electronically transferred, or referenced as specified in message description, including, where relevant, the identification of the type of transaction that will result from this message.			

<u>C002DOCUMENT / MESSAGE NAME</u>	M		
1001 Document / message name, coded	C	an..4	
1131 Code list qualifier	C	an..3	not used
3055 Code list responsible agency, coded	C	an..3	not used
1000 Document / message name	C	an..35	not used
<u>C503DOCUMENT / MESSAGE DETAILS</u>	C		
1004 Document / message number	C	an..255	
1373 Document / message status, coded	C	an..3	not used
1366 Document / message source	C	an..35	not used
3453 Language, coded	C	an..3	not used
<u>3153 COMMUNICATION CHANNEL IDENTIFIER, CODED</u>	C	an..3	not used
<u>1220 NO. OF COPIES OF DOCUMENT REQUIRED</u>	C	n..2	not used
<u>1218 NO. OF ORIGINALS OF DOCUMENT REQUIRED</u>	C	n..2	not used

DTM	DATE / TIME / PERIOD		
Function: To specify date, and / or time, or period.			

<u>C507DATE / TIME / PERIOD</u>	M		
2005 Date / time / period qualifier	M	an..3	See 2005 codes in Appendix A
2380 Date / time / period	C	an..35	
2379 Date / time / period format qualifier	C	an..3	See 2379 codes in Appendix A

EQD	EQUIPMENT DETAILS		
Function: To identify a unit of equipment.			

<u>8053 EQUIPMENT QUALIFIER</u>	M	an..3	See 8053 codes in Appendix A
<u>C237EQUIPMENT IDENTIFICATION</u>	C		
8260 Equipment identification number	C	an..17	
1131 Code list qualifier	C	an..3	not used
3055 Code list responsible agency, coded	C	an..3	not used

3207 Country, coded	C	an..3	not used
C224EQUIPMENT SIZE AND TYPE			
8155 Equipment size and type identification	C	an..10	not used
1131 Code list qualifier	C	an..3	not used
3055 Code list responsible agency, coded	C	an..3	not used
8154 Equipment size and type	C	an..35	not used
8077 EQUIPMENT SUPPLIER, CODED			
8249 EQUIPMENT STATUS, CODED			
8169 FULL / EMPTY INDICATOR, CODED			

FTX	FREE TEXT
Function: To provide free form or coded text information.	

4451 TEXT SUBJECT QUALIFIER	M	an..3	See 4451 codes in Appendix A
4453 TEXT FUNCTION, CODED	C	an..3	not used
C107TEXT REFERENCE			
4441 Free text identification	M	an..17	
1131 Code list qualifier	C	an..3	not used
3055 Code list responsible agency, coded	C	an..3	not used
C108TEXT LITERAL			
4440 Free text	C	an..512	
4440 Free text	C	an..512	not used
4440 Free text	C	an..512	not used
4440 Free text	C	an..512	not used
4440 Free text	C	an..512	not used
3453 LANGUAGE, CODED	C	an..3	not used

GIS	GENERAL INDICATOR
Function: To transmit a processing indicator.	

C529PROCESSING INDICATOR	M		
7365 Processing indicator, coded	C	an..3	
1131 Code list qualifier	C	an..3	See 1131 codes in Appendix A
3055 Code list responsible agency, coded	C	an..3	
7187 Process type identification	C	an..17	

IMD	ITEM DESCRIPTION
Function: To describe an item in either an industry or free format.	

7077 ITEM DESCRIPTION TYPE, CODED	C	an..3	See 7077 codes in Appendix A
7081 ITEM CHARACTERISTIC, CODED	C	an..3	not used
C273ITEM DESCRIPTION			
7009 Item description identification	C	an..17	not used
1131 Code list qualifier	C	an..3	not used
3055 Code list responsible agency, coded	C	an..3	not used
7008 Item description	C	an..35	not used
7008 Item description	C	an..35	not used
3453 Language, coded	C	an..3	not used
7383 SURFACE / LAYER INDICATOR, CODED	C	an..3	not used

LOC	PLACE / LOCATION IDENTIFICATION		
Function: To identify a country / place / location / related location one / related location two.			

<u>3227 PLACE / LOCATION QUALIFIER</u>	M	an..3	See 3227 codes in Appendix A
<u>C517 LOCATION IDENTIFICATION</u>	C		
3225 Place / location identification	C	an..25	
1131 Code list qualifier	C	an..3	not used
3055 Code list responsible agency, coded	C	an..3	not used
3224 Place / location	C	an..70	
<u>C519 RELATED LOCATION ONE IDENTIFICATION</u>	C		
3223 Related place / location one identification	C	an..25	not used
1131 Code list qualifier	C	an..3	not used
3055 Code list responsible agency, coded	C	an..3	not used
3222 Related place / location one	C	an..70	not used
<u>C553 RELATED LOCATION TWO IDENTIFICATION</u>	C		
3233 Related place / location two identification	C	an..25	not used
1131 Code list qualifier	C	an..3	not used
3055 Code list responsible agency, coded	C	an..3	not used
3232 Related place / location two	C	an..70	not used
<u>5479 RELATION</u>	C	an..3	not used

MEA	MEASUREMENTS		
Function: To specify physical measurements, including dimension tolerances, weights and counts.			

<u>6311 MEASUREMENT APPLICATION QUALIFIER</u>	M	an..3	
<u>C502 MEASUREMENT DETAILS</u>	C		
6313 Measurement dimension, coded	C	an..3	
6321 Measurement significance, coded	C	an..3	not used
6155 Measurement attribute identification	C	an..17	not used
6154 Measurement attribute	C	an..70	not used
<u>C174 VALUE / RANGE</u>	C		
6411 Measure unit qualifier	M	an..3	
6314 Measurement value	C	n..18	
6162 Range minimum	C	n..18	not used
6152 Range maximum	C	n..18	not used
6432 Significant digits	C	n..2	not used
<u>7383 SURFACE / LAYER INDICATOR, CODED</u>	C	an..3	not used

MOA	MONETARY AMOUNT		
Function: To specify a monetary amount.			

<u>C516 MONETARY AMOUNT</u>	M		
5025 Monetary amount type qualifier	M	an..3	See 5025 codes in Appendix A
5004 Monetary amount	C	n..18	
6345 Currency	C	an..3	
6343 Currency qualifier	C	an..3	not used
4405 Status, coded	C	an..3	not used

NAD	NAME AND ADDRESS		
Function: To specify the name / address and their related function, either by CO82 only and / or unstructured by CO58 or structured by CO80 thru 3207.			

3035 PARTY QUALIFIER	M	an..3	See 3035 codes in Appendix A
C082PARTY IDENTIFICATION DETAILS			
3039 Party id. identification	M	an..35	
1131 Code list qualifier	C	an..3	not used
3055 Code list responsible agency, coded	C	an..3	not used
C058NAME AND ADDRESS			
3124 Name and address line	M	an..35	not used
3124 Name and address line	C	an..35	not used
3124 Name and address line	C	an..35	not used
3124 Name and address line	C	an..35	not used
3124 Name and address line	C	an..35	not used
C080PARTY NAME			
3036 Party name	M	an..35	
3036 Party name	C	an..35	not used
3036 Party name	C	an..35	not used
3036 Party name	C	an..35	not used
3036 Party name	C	an..35	not used
3045 Party name format, coded	C	an..3	not used
C059STREET			
3042 Street and number / p.o. box	M	an..35	
3042 Street and number / p.o. box	C	an..35	not used
3042 Street and number / p.o. box	C	an..35	not used
3042 Street and number / p.o. box	C	an..35	not used
3164 CITY NAME	C	an..35	
3229 COUNTRY SUB-ENTITY IDENTIFICATION	C	an..9	
3251 POSTCODE IDENTIFICATION	C	an..9	
3207 COUNTRY	C	an..3	

PAC	PACKAGE		
Function: To describe the number and type of packages / physical units.			

7224 NUMBER OF PACKAGES	C	n..8	
C531PACKAGING DETAILS			
7075 Packaging level, coded	C	an..3	not used
7233 Packaging related information, coded	C	an..3	not used
7073 Packaging terms and conditions, coded	C	an..3	not used
C202PACKAGE TYPE			
7065 Type of packages identification	C	an..17	
1131 Code list qualifier	C	an..3	See 1131 codes in Appendix A
3055 Code list responsible agency, coded	C	an..3	not used
7064 Type of packages	C	an..35	not used
C402PACKAGE TYPE IDENTIFICATION			
7077 Item description type, coded	M	an..3	not used
7064 Type of packages	M	an..35	not used
7143 Item number type, coded	C	an..3	not used
7064 Type of packages	C	an..35	not used
7143 Item number type, coded	C	an..3	not used
C532RETURNABLE PACKAGE DETAILS			
	C		

8395 Returnable package freight payment responsibility, coded	C	an..3	not used
8393 Returnable package load contents, coded	C	an..3	not used

PCI	PACKAGE IDENTIFICATION		
Function: To specify markings and labels on individual packages or physical units.			

<u>4233 MARKING INSTRUCTIONS, CODED</u>	C	an..3	See 4233 codes in Appendix A
<u>C210 MARKS & LABELS</u>	C		
7102 Shipping marks	M	an..80	
7102 Shipping marks	C	an..35	not used
7102 Shipping marks	C	an..35	not used
7102 Shipping marks	C	an..35	not used
7102 Shipping marks	C	an..35	not used
7102 Shipping marks	C	an..35	not used
7102 Shipping marks	C	an..35	not used
7102 Shipping marks	C	an..35	not used
7102 Shipping marks	C	an..35	not used
7102 Shipping marks	C	an..35	not used
<u>8275 CONTAINER / PACKAGE STATUS, CODED</u>	C	an..3	not used
<u>C827 TYPE OF MARKING</u>	C		
7511 Type of marking, coded	M	an..3	not used
1131 Code list qualifier	C	an..3	not used
3055 Code list responsible agency, coded	C	an..3	not used

RFF	REFERENCE		
Function: To specify a reference.			

<u>C506 REFERENCE</u>	M		
1153 Reference qualifier	M	an..3	See 1153 codes in Appendix A
1154 Reference number	C	an..35	
1156 Line number	C	an..8	
4000 Reference version number	C	an..35	not used

TAX	DUTY / TAX / FEE DETAILS		
Function: To specify relevant duty / tax / fee information.			

<u>5283 DUTY / TAX / FEE FUNCTION QUALIFIER</u>	M	an..3	See 5283 codes in Appendix A
<u>C241 DUTY / TAX / FEE TYPE</u>	C		
5153 Duty / tax / fee type, coded	C	an..3	
1131 Code list qualifier	C	an..3	not used
3055 Code list responsible agency, coded	C	an..3	See 3055 codes in Appendix A
5152 Duty / tax / fee type	C	an..35	not used
<u>C533 DUTY / TAX / FEE ACCOUNT DETAIL</u>	C		
5289 Duty / tax / fee account identification	M	an..6	not used
1131 Code list qualifier	C	an..3	not used
3055 Code list responsible agency, coded	C	an..3	not used
<u>5286 DUTY / TAX / FEE ASSESSMENT BASIS</u>	C	an..15	
<u>C243 DUTY / TAX / FEE DETAIL</u>	C		
5279 Duty / tax / fee rate identification	C	an..7	not used
1131 Code list qualifier	C	an..3	not used
3055 Code list responsible agency, coded	C	an..3	See 3055 codes in Appendix A
5278 Duty / tax / fee rate	C	an..17	
5273 Duty / tax / fee rate basis identification	C	an..12	not used
1131 Code list qualifier	C	an..3	not used

3055 Code list responsible agency, coded	C	an..3	not used
<u>5305 DUTY / TAX / FEE CATEGORY, CODED</u>	C	an..3	not used
<u>3446 PARTY TAX IDENTIFICATION NUMBER</u>	C	an..20	not used

TDT	DETAILS OF TRANSPORT		
Function: To specify the transport details such as mode of transport, means of transport, its conveyance reference number and the identification of the means of transport. The TPL segment may point to this segment.			

<u>8051 TRANSPORT STAGE QUALIFIER</u>	M	an..3	See 8051 codes in Appendix A
<u>8028 CONVEYANCE REFERENCE NUMBER</u>	C	an..17	not used
<u>C220MODE OF TRANSPORT</u>	C		
8067 Mode of transport	C	an..3	
8066 Mode of transport	C	an..17	not used
<u>C228TRANSPORT MEANS</u>	C		
8179 Type of means of transport identification	C	an..8	not used
8178 Type of means of transport	C	an..17	not used
<u>C040CARRIER</u>	C		
3127 Carrier identification	C	an..17	not used
1131 Code list qualifier	C	an..3	not used
3055 Code list responsible agency, coded	C	an..3	not used
3128 Carrier name	C	an..35	not used
<u>8101 TRANSIT DIRECTION, CODED</u>	C	an..3	not used
<u>C401EXCESS TRANSPORTATION INFORMATION</u>	C		
8457 Excess transportation reason, coded	M	an..3	not used
8459 Excess transportation responsibility, coded	M	an..3	not used
7130 Customer authorization number	C	an..17	not used
<u>C222TRANSPORT IDENTIFICATION</u>	C		
8213 Id. of means of transport identification	C	an..9	not used
1131 Code list qualifier	C	an..3	not used
3055 Code list responsible agency, coded	C	an..3	not used
8212 Id. of the means of transport	C	an..35	
8453 Nationality of means of transport, coded	C	an..3	
<u>8281 TRANSPORT OWNERSHIP, CODED</u>	C	an..3	not used

TOD	TERMS OF DELIVERY OR TRANSPORT		
Function: To specify terms of delivery or transport.			

<u>4055 TERMS OF DELIVERY OR TRANSPORT FUNCTION, CODED</u>	C	an..3	
<u>4215 TRANSPORT CHARGES METHOD OF PAYMENT, CODED</u>	C	an..3	not used
<u>C100TERMS OF DELIVERY OR TRANSPORT</u>	C		
4053 Terms of delivery or transport	C	an..3	
1131 Code list qualifier	C	an..3	not used
3055 Code list responsible agency, coded	C	an..3	not used
4052 Terms of delivery or transport	C	an..70	not used
4052 Terms of delivery or transport	C	an..70	not used

4.4 Correlations – EDIFACT / SAD

BOX NO	BOX NAME	POSITION	SEGMENT	ELEMENT	QUALIFIER	QUALIFIER VALUE	EXTERNAL REF LISTS FOR ELEMENTS
A	Customs Declaration (SAD) Number Assigned by Customs	0020	BGM	1004			
A	Acceptance Date	0050	DTM	2380	2005 2379	2005=148 2379=204	
A	Risk Routing	0060	GIS	7365	1131 3055	1131=110 3055=110	See Risk Routing codes in Customs Technical Reference List
-	Sending Date	0050	DTM	2380	2005 2379	2005=137 2379=204	
-	Message Type Code	0020	BGM	1225			See Message Type Codes in Customs Technical Reference List
1	Type of Declaration	0020	BGM	1000	1131 1001	1131=105 1001=960	See Type of Importation/Exportation codes in Trader Guide See Declaration Type codes in Trader Guide
2/1	Consignor Registration Number	0280	NAD	3039	3035	3035=CZ	
2/2	Consignor Business Name	0280	NAD	3036	3035	3035=CZ	
2/2	Consignor - Address Line 1	0280	NAD	3042	3035	3035=CZ	
2/2	Consignor – Address Line 2	0280	NAD	3164	3035	3035=CZ	
2/2	Consignor – Address Line 3	0280	NAD	3229	3035	3035=CZ	
2/2	Consignor Post Code	0280	NAD	3251	3035	3035=CZ	
2/2	Consignor Country	0280	NAD	3207	3035	3035=CZ	See ISO Alpha 2 Country codes in Trader Guide
5	Number of Items	1930	CNT	6066	6069	6069=5	
7	Commercial Reference Number	0130	RFF	1154	1153	1153=ABE	
8/1	Consignee Registration Number	0280	NAD	3039	3035	3035=CN	
8/2	Consignee Business Name	0280	NAD	3036	3035	3035=CN	
8/2	Consignee - Address Line 1	0280	NAD	3042	3035	3035=CN	
8/2	Consignee - Address Line 2	0280	NAD	3164	3035	3035=CN	
8/2	Consignee - Address Line 3	0280	NAD	3229	3035	3035=CN	

BOX NO	BOX NAME	POSITION	SEGMENT	ELEMENT	QUALIFIER	QUALIFIER VALUE	EXTERNAL REF LISTS FOR ELEMENTS
8/2	Consignee Post Code	0280	NAD	3251	3035	3035=CN	
8/2	Consignee Country	0280	NAD	3207	3035	3035=CN	See ISO Alpha 2 Country codes in Trader Guide
12	Valuation Details	0060	GIS	7365	1131	1131=127	See Valuation codes in Trader Guide
14/1	Declarant/ Representative Status	0060	GIS	7365	1131	1131=160	See Status of Declarant/Representative codes in Trader Guide
14/2	Declarant Registration Number	0280	NAD	3039	3035	3035=DT	
14/3	Declarant Business Name	0280	NAD	3036	3035	3035=DT	
14/3	Declarant - Address Line 1	0280	NAD	3042	3035	3035=DT	
14/3	Declarant - Address Line 2	0280	NAD	3164	3035	3035=DT	
14/3	Declarant - Address Line 3	0280	NAD	3229	3035	3035=DT	
14/3	Declarant Post Code	0280	NAD	3251	3035	3035=DT	
14/3	Declarant Country	0280	NAD	3207	3035	3035=DT	See ISO Alpha 2 Country codes in Trader Guide
15a	Country of Dispatch / Export Code	0040	LOC	3225	3227	3227=35	See ISO Alpha 2 Country codes in Trader Guide
17a	Destination Country	0040	LOC	3225	3227	3227=36	See ISO Alpha 2 Country codes in Trader Guide
17b	Destination Region	0040	LOC	3225	3227	3227=47	See Region codes in Trader Guide
18/1	Identity of the means of transport at departure / arrival	0210	TDT	8212	8051	8051=12/13	
20/1	Delivery Terms: Incoterm	0330	TOD	4053	4055	4055=6	See Incoterm codes in Trader Guide
20/2	Delivery Terms: Named Place	0340	LOC	3224	3227	3227=1	
20/3	Delivery Terms: Situation	0340	LOC	3225	3227	3227=1	See Delivery Destination Location codes in Trader Guide
21/1	Identity of the active means of transport crossing the border	0210	TDT	8212	8051	8051=11	
21/2	Nationality of the active means of transport crossing the border	0210	TDT	8453	8051	8051=11	See ISO Alpha 2 Country codes in Trader Guide
22/1	Currency code	0370	MOA	6345	5025	5025=39	See Currency codes in Trader Guide
22/2	Total amount invoiced	0370	MOA	5004	5025	5025=39	
23	Exchange Rate	0390	CUX	5402			

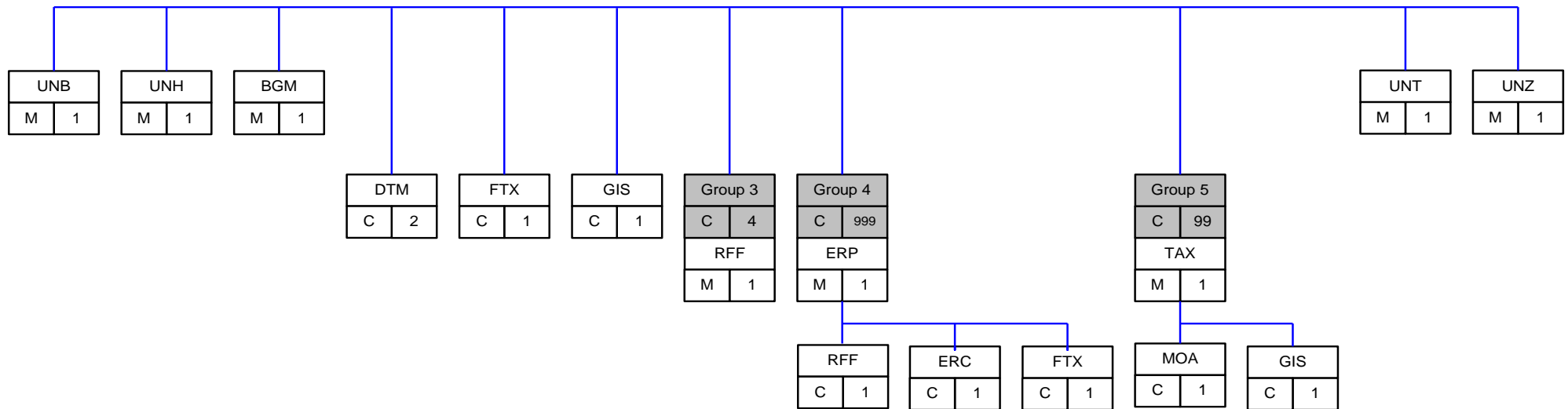
BOX NO	BOX NAME	POSITION	SEGMENT	ELEMENT	QUALIFIER	QUALIFIER VALUE	EXTERNAL REF LISTS FOR ELEMENTS
24	Nature of the transaction	0030	CST	C246#1 7361	1131	1131=71	See Nature of the Transaction codes in Trader Guide
25	Mode of transport at the border	0210	TDT	8067	8051	8051=11	See Mode of Transport codes in Trader Guide
26	Inland mode of transport	0210	TDT	8067	8051	8051=1	See Mode of Transport codes in Trader Guide
29	Office of exit/entry	0040	LOC	3225	3227	3227=41/42	See Office of Entry/Exit codes in Trader Guide
30	Location of Goods	0040	LOC	3225	3227	3227=14	See Location of Goods codes in Trader Guide
47/5	Preferred Method of Payment	0060	GIS	7365	1131	1131=153	See Method of Payment codes in Trader Guide
48	Deferred Payment	0130	RFF	1154	1153	1153=ABI	
49	Identification of Warehouse	0040	LOC	3224	3227	3227=18	See Type of Warehouse codes in Trader Guide. See ISO Alpha 2 Country codes in Trader Guide
A	Customs Office of Import/Export	0040	LOC	3225	3227	3227=22	See Office of Import/Export codes in Trader Guide
31	Container Number	0090	EQD	8260	8053	8053=CN	
31	Transport Type	0060	GIS	7365	1131	1131=146	See Type of transport Document codes in Trader Guide
31	Transport Document	0130	RFF	1154	1153	1153=AAS	See Port of Loading codes (if bill of lading) in Trader Guide
-	Summary Declaration (Manifest) Reference Number Assigned by Customs	0130	RFF	1154	1153	1153=AFB	
44/1	Certificate Type Code	0240	DOC	1001			See Attached Documents, Certificates, Authorisation codes in Trader Guide Note: Edifact 1001 code list is not used.
44/2	Certificate Serial Number	0240	DOC	1004			
44/1	Complementary Data Name	0110	FTX	4441	4451	4451=ACB	See Additional Information codes in Trader Guide
44/2	Complementary Data Value	0110	FTX	4440#1	4451	4451=ACB	See Additional Information codes in Trader Guide

BOX NO	BOX NAME	POSITION	SEGMENT	ELEMENT	QUALIFIER	QUALIFIER VALUE	EXTERNAL REF LISTS FOR ELEMENTS
32	Item number	1220	CST	1496			
31	Packages in item	1600	GIS	7365	1131	1131=PII	
33/1 & 33/2	Nomenclature Code	1220	CST	C246#1 7361			
33/3	TARIC additional code 1	1220	CST	C246#2 7361			
33/4	TARIC additional code 2	1220	CST	C246#3 7361			
33/5	National Code	1220	CST	C246#4 7361			
34a	Country of Origin	1240	LOC	3225	3227	3227=27	See ISO Alpha 2 Country codes in Trader Guide
34b	Region of Origin	1240	LOC	3225	3227	3227=106	See Region codes in Trader Guide
35	Gross Mass	1260	MEA	6314	6311 6313 6411	6311=WT 6313=AAB 6411=KGR	
36	Preference	1630	RFF	1154	GIS(1131) 1153	GIS(1131=116) 1153=AIP	See Preference codes in Trader Guide
37a	Procedure	1600	GIS	7187	1131	1131=117	See Procedure/ Procedure Category codes in Trader Guide
37b	Procedure – Category	1600	GIS	7365	1131	1131=117	See Procedure/ Procedure Category codes in Trader Guide
38	Net Mass	1260	MEA	6314	6311 6313 6411	6311=WT 6313=AAA 6411=KGR	
39	Quota	1630	RFF	1154	GIS(1131) 1153	GIS(1131=110) 1153=ABJ	
40	Previous Document	1400	RFF	1154	1153	1153=ACE	See Summary Declaration/Previous Document and Document Abbreviation codes in Trader Guide
41	Supplementary Units – Number of units	1260	MEA	6314	6311 6411	6311=AAS 6411=SPU	
42	Item Price	1350	MOA	5004	5025	5025=38	
43	Valuation Method	1600	GIS	7365	1131	1131=127	See Valuation Method codes in Trader Guide
45	Adjustment	1350	MOA	5004	5025	5025=5	
46	Statistical Value	1350	MOA	5004	5025	5025=123	

BOX NO	BOX NAME	POSITION	SEGMENT	ELEMENT	QUALIFIER	QUALIFIER VALUE	EXTERNAL REF LISTS FOR ELEMENTS
31	Type of Package	1300	PAC	7065	1131	1131=67	See Type of Packages codes in Trader Guide
31	Unique LP reference	1400	RFF	1156	1153	1153=CW	
31	Declared Quantity of Packages	1300	PAC	7224			
31	Marks of the Packages	1320	PCI	7102#1	4233	4233=28	
31	Description of Goods	1460	FTX	4440#1	IMD(7077) 4451	IMD(7077=E) 4451=AAA	
44/1	Certificate Type Code	1480	DOC	1001			See Attached Documents, Certificates, Authorisation codes in Trader Guide Note: Edifact 1001 code list is not used.
44/2	Certificate Serial Number	1480	DOC	1004			
44/1	Complementary Data Name	1230	FTX	4441	4451	4451=ACB	See Additional Information codes in Trader Guide
44/2	Complementary Data Value	1230	FTX	4440#1	4451	4451=ACB	See Additional Information codes in Trader Guide
47/1	Tax Type	1650	TAX	5153	5283 3055	5283=1 3055=110	See Tax Type codes in Trader Guide
47/2	Tax Base	1650	TAX	5286	5283	5283=1	
47/3	Tax Rate	1650	TAX	5278	5283 3055	5283=1 3055=110	
47/4	Tax Amount	1660	MOA	5004	5025	5025=161	
47/5	Tax Method of Payment	1670	GIS	7365	1131	1131=153	See Method of Payment codes in Trader Guide

5. SAD RESPONSE MESSAGE (CUSRES)

5.1 Message Structure Diagram



5.2 Segment Outline

- 0010 **UNH** Message header
 A service segment starting and uniquely identifying a message. The message type code for the Customs response message is CUSRES.
- Note: Customs response messages conforming to this document must contain the following data in segment UNH, composite S009:
- Data element 0065 CUSRES
 0052 D
 0054 96B
 0051 UN
 0057 IEB001
- 0020 **BGM** Beginning of message
 A segment identifying the type and the reference number of the message to which the CUSRES is a response.
- 0030 **DTM** Date/time/period
 A segment identifying the relevant dates and times in the message. For example, payment date
- 0040 **FTX** Free text
 A segment stating information in unsolicited clear text.
- 0070 **GIS** General indicator
 A segment identifying the various customs processing indicators. For example, cargo released, cargo held, examination required, earlier message accepted or rejected, etc.
- 0140 **Group 3: RFF-DTM-LOC**
 A group of segments identifying references, dates and locations related information.
- 0150 **RFF** Reference
 A segment identifying references (e.g. manifest number).
- 0180 **Group 4: ERP-RFF-ERC-FTX**
 A group of segments identifying an application error condition within a message to which the CUSRES is a response.
- 0190 **ERP** Error point details
 A segment identifying the location of an application error within the referenced message.
- 0200 **RFF** Reference
 A segment to provide the references related to the application error.
- 0210 **ERC** Application error information
 A segment identifying the type of application errors within a message.
- 0220 **FTX** Free text
 A segment to provide explanation and/or supplementary information related to the specified application error.
- 0230 **Group 5: TAX-MOA-GIS**
 A group of segments identifying the customs amounts for duties, taxes and fees, following computation by customs, for all customs declarations.

- 0240 **TAX** Duty/tax/fee details
A segment identifying the tax and/or duty and/or fee type, rate and base totals for all customs declarations.

- 0250 **MOA** Monetary amount
A segment to identify a tax and/or duty and/or fee amount related to TAX.

- 0260 **GIS** General indicator
A segment identifying method of payment.

- 0650 **UNT** Message trailer
A service segment ending a message, giving the total number of segments in the message and the control reference number of the message.

5.3 Segment Specification

BGM	BEGINNING OF MESSAGE		
Function: To indicate the type and function of a message and to transmit the identifying number.			

<u>C002DOCUMENT / MESSAGE NAME</u>	<u>C</u>		
1001 Document / message name, coded	C	an..3	not used
1131 Code list qualifier	C	an..3	not used
3055 Code list responsible agency, coded	C	an..3	not used
1000 Document / message name	C	an..35	not used
<u>C106DOCUMENT / MESSAGE IDENTIFICATION</u>	<u>C</u>		
1004 Document / message number	C	an..35	
1056 Version	C	an..9	not used
1060 Revision number	C	an..6	not used
<u>1225 MESSAGE FUNCTION, CODED</u>	<u>C</u>	an..3	
<u>4343 RESPONSE TYPE, CODED</u>	<u>C</u>	an..3	not used

DTM	DATE / TIME / PERIOD		
Function: To specify date, and / or time, or period.			

<u>C507DATE / TIME / PERIOD</u>	<u>M</u>		
2005 Date / time / period qualifier Appendix A	M	an..3	See 2005 codes in Appendix A
2380 Date / time / period	C	an..35	
2379 Date / time / period format qualifier Appendix A	C	an..3	See 2379 codes in Appendix A

ERC	APPLICATION ERROR INFORMATION		
Function: To identify the type of application error within a message.			

<u>C901APPLICATION ERROR DETAIL</u>	<u>M</u>		
9321 Application error identification	M	an..10	
1131 Code list qualifier	C	an..3	not used
3055 Code list responsible agency, coded	C	an..3	not used

ERP	ERROR POINT DETAILS		
Function: A segment to identify the location of an application error within a message			

<u>C701ERROR POINT DETAILS</u>	<u>C</u>		
1049 Message section, coded Appendix A	C	an..3	See 1049 codes in Appendix A
1052 Message item number	C	an..35	not used
1054 Message sub-item number	C	n..6	not used
<u>C853ERROR SEGMENT POINT DETAILS</u>	<u>C</u>		
9166 Segment tag	C	an..3	not used
1050 Segment number	C	an..10	not used
1159 Sequence number source, coded	C	an..3	not used

FTX	FREE TEXT		
Function: To provide free form or coded text information.			

<u>4451 TEXT SUBJECT QUALIFIER</u> Appendix A	<u>M</u>	an..3	See 4451 codes in Appendix A
--	----------	-------	---------------------------------

4453 TEXT FUNCTION, CODED	C	an..3	not used
C107 TEXT REFERENCE			
4441 Free text identification	M	an..17	not used
1131 Code list qualifier	C	an..3	not used
3055 Code list responsible agency, coded	C	an..3	not used
C108 TEXT LITERAL			
4440 Free text	M	an..512	
4440 Free text	C	an..512	
4440 Free text	C	an..512	not used
4440 Free text	C	an..512	not used
4440 Free text	C	an..512	not used
3453 LANGUAGE, CODED	C	an..3	not used

GIS	GENERAL INDICATOR
Function: To transmit a processing indicator.	

C529 PROCESSING INDICATOR			
7365 Processing indicator, coded	C	an..3	
1131 Code list qualifier	C	an..3	See 1131 codes in Appendix A
3055 Code list responsible agency, coded	C	an..3	not used
7187 Process type identification	C	an..17	not used

MOA	MONETARY AMOUNT
Function: To specify a monetary amount.	

C516 MONETARY AMOUNT			
5025 Monetary amount type qualifier	M	an..3	See 5025 codes in Appendix A
5004 Monetary amount	C	n..18	
6345 Currency, coded	C	an..3	not used
6343 Currency qualifier	C	an..3	not used
4405 Status, coded	C	an..3	not used

RFF	REFERENCE
Function: To specify a reference.	

C506 REFERENCE			
1153 Reference qualifier	M	an..3	See 1153 codes in Appendix A
1154 Reference number	C	an..35	
1156 Line number	C	an..6	not used
4000 Reference version number	C	an..35	not used

TAX	DUTY / TAX / FEE DETAILS
Function: To specify relevant duty / tax / fee information.	

5283 DUTY / TAX / FEE FUNCTION QUALIFIER			
Appendix A	M	an..3	See 5283 codes in Appendix A
C241 DUTY / TAX / FEE TYPE			
5153 Duty / tax / fee type, coded	C	an..3	
1131 Code list qualifier	C	an..3	not used
3055 Code list responsible agency, coded	C	an..3	not used
5152 Duty / tax / fee type	C	an..35	not used

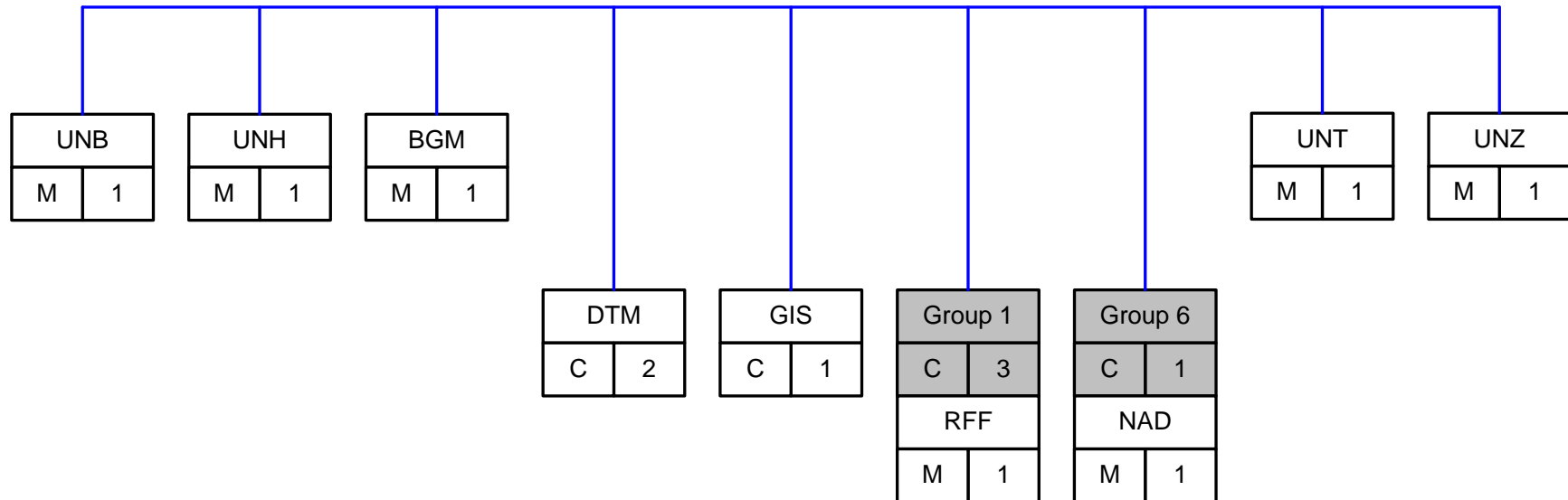
<u>C533DUTY / TAX / FEE ACCOUNT DETAIL</u>	C		
5289 Duty / tax / fee account identification	M	an..6	not used
1131 Code list qualifier	C	an..3	not used
3055 Code list responsible agency, coded	C	an..3	not used
<u>5286 DUTY / TAX / FEE ASSESSMENT BASIS</u>	C	an..15	not used
<u>G243DUTY / TAX / FEE DETAIL</u>	C		
5279 Duty / tax / fee rate identification	C	an..7	not used
1131 Code list qualifier	C	an..3	not used
3055 Code list responsible agency, coded	C	an..3	not used
5278 Duty / tax / fee rate	C	an..17	not used
5273 Duty / tax / fee rate basis identification	C	an..12	not used
1131 Code list qualifier	C	an..3	not used
3055 Code list responsible agency, coded	C	an..3	not used
<u>5305 DUTY / TAX / FEE CATEGORY, CODED</u>	C	an..3	not used
<u>3446 PARTY TAX IDENTIFICATION NUMBER</u>	C	an..20	not used

5.4 Correlations – EDIFACT / Sad Response

BOX NO	BOX NAME	POSITION	SEGMENT	ELEMENT	QUALIFIER	QUALIFIER VALUE	EXTERNAL REF LISTS FOR ELEMENTS
-	Message Type Code	0020	BGM	1225			See Message Response Type Codes in Customs Technical Reference List
-	Sending Date	0030	DTM	2380	2005 2379	2005=137 2379=204	
A	Customs Declaration (SAD) Number Assigned by Customs	0020	BGM	1004			
A	Risk Routing	0070	GIS	7365	1131	1131=110	See Risk Routing codes in Customs Technical Reference List
A	Acceptance Date	0030	DTM	2380	2005 2379	2005=148 2379=204	
7	Commercial Reference Number	0150	RFF	1154	1153	1153=ABE	
-	Summary Declaration (Manifest) Reference Number Assigned by Customs	0150	RFF	1154	1153	1153=AFB	
31	Transport Document ID	0150	RFF	1154	1153	1153=AAS	
48	Deferred Payment	0150	RFF	1154	1153	1153=ADZ	
-	Comments (reason for rejection)	0040	FTX	4440#1	4451	4451=AAP	
47/1	Assessment - tax type	0240	TAX	5153	5283	5283=3	See Tax Type codes in Trader Guide
47/4	Assessment - tax amount	0250	MOA	5004	5025	5025=161	
47/5	Assessment - payment method	0260	GIS	7365	1131	1131=153	See Method of Payment codes in Trader Guide
-	Error Code	0210	ERC	9321	ERP(1049)	ERP(1049=1/2)	See SAD Error codes in Customs Error Messages document
-	Error Item Number	0200	RFF	1154	ERP(1049) 1153	ERP(1049=1/2) 1153=AFD	
-	Field Name	0220	FTX	4440#2	ERP(1049) 4451	ERP(1049=1/2) 4451=AAO	
-	Validation Error Type Code	0220	FTX	4440#1	ERP(1049) 4451	ERP(1049=1/2) 4451=AAO	Revenue Internal codes. Please include with support requests.

6. ENQUIRY MESSAGE (CUSENQ)

6.1 Message Structure Diagram



6.2 Segment Outline

Header Section

- 0010 **UNH** Message Header
 A service segment starting and uniquely identifying a message. The message type code for the Customs Enquiry message is CUSENQ.

 Note: Customs declaration messages conforming to this document must contain the following data in segment UNH, composite S009:

 Data element 0065 CUSENQ
 0052 D
 0054 96B
 0051 UN
 0057 IEC001

- 0020 **BGM** Beginning of message
 A segment identifying the declaration type and reference.

- 0050 **DTM** Date / time / period
 A segment identifying dates, times or periods relevant to the whole message. For example, actual date of arrival, elected date of presentation, etc.

- 0060 **GIS** General indicator
 A segment identifying the various indicators required by a customs system. For example, special programs, release certification, duty free eligibility under GSP, etc.

- 0120 **Group 1: RFF-DTM-SG2**
 A group of segments identifying various references, manifest quantities and package identities relevant to the whole message.

- 0130 **RFF** Reference
 A segment identifying the various references relevant to the whole message.

- 0270 **Group 6: NAD-RFF-CTA-COM**
 A group of segments identifying the parties relevant to the whole message, with their related references, contacts, and communication numbers.

- 0280 **NAD** Name and address
 A segment identifying the parties relevant to the entire message. For example importer, ultimate consignee, etc.

Summary Section

- 2010 **UNT** Message trailer
 A service segment ending a message, giving the total number of segments in the message and the control reference number of the message.

6.3 Segment Specification

BGM	BEGINNING OF MESSAGE		
Function: To indicate the type and function of a message and to transmit the identifying number.			

<u>C002DOCUMENT / MESSAGE NAME</u>	C		
1001 Document / message name, coded	C	an..3	See 1001 codes in Appendix A
1131 Code list qualifier	C	an..3	See 1131 codes in Appendix A
3055 Code list responsible agency, coded	C	an..3	Not used
1000 Document / message name	C	an..35	
<u>C106DOCUMENT / MESSAGE IDENTIFICATION</u>	C		
1004 Document / message number	C	an..35	
1056 Version	C	an..9	Not used
1060 Revision number	C	an..6	Not used
<u>1225 MESSAGE FUNCTION, CODED</u>	C	an..3	
<u>4343 RESPONSE TYPE, CODED</u>	C	an..3	Not used

DTM	DATE / TIME / PERIOD		
Function: To specify date, and / or time, or period.			

<u>C507DATE / TIME / PERIOD</u>	M		
2005 Date / time / period qualifier	M	an..3	See 2005 codes in Appendix A
2380 Date / time / period	C	an..35	
2379 Date / time / period format qualifier	C	an..3	See 2379 codes in Appendix A

GIS	GENERAL INDICATOR		
Function: To transmit a processing indicator.			

<u>C529PROCESSING INDICATOR</u>	M		
7365 Processing indicator, coded	C	an..3	
1131 Code list qualifier	C	an..3	See 1131 codes in Appendix A
3055 Code list responsible agency, coded	C	an..3	Not used
7187 Process type identification	C	an..17	Not used

NAD	NAME AND ADDRESS		
Function: To specify the name / address and their related function, either by CO82 only and / or unstructured by CO58 or structured by CO80 thru 3207.			

<u>3035 PARTY QUALIFIER</u>	M	an..3	See 3035 codes in Appendix A
<u>C082PARTY IDENTIFICATION DETAILS</u>	C		
3039 Party id. identification	M	an..35	
1131 Code list qualifier	C	an..3	Not used
3055 Code list responsible agency, coded	C	an..3	Not used
<u>C058NAME AND ADDRESS</u>	C		
3124 Name and address line	M	an..35	Not used
3124 Name and address line	C	an..35	Not used
3124 Name and address line	C	an..35	Not used
3124 Name and address line	C	an..35	Not used
3124 Name and address line	C	an..35	Not used
<u>C080PARTY NAME</u>	C		
3036 Party name	M	an..35	Not used
3036 Party name	C	an..35	Not used

3036 Party name	C	an..35	Not used
3036 Party name	C	an..35	Not used
3036 Party name	C	an..35	Not used
3045 Party name format, coded	C	an..3	Not used
<hr/>			
<u>C059STREET</u>	<u>C</u>		
3042 Street and number / p.o. box	M	an..35	Not used
3042 Street and number / p.o. box	C	an..35	Not used
3042 Street and number / p.o. box	C	an..35	Not used
3042 Street and number / p.o. box	C	an..35	Not used
<hr/>			
<u>3164 CITY NAME</u>	<u>C</u>	an..35	Not used
<hr/>			
<u>3229 COUNTRY SUB-ENTITY IDENTIFICATION</u>	<u>C</u>	an..9	Not used
<hr/>			
<u>3251 POSTCODE IDENTIFICATION</u>	<u>C</u>	an..9	Not used
<hr/>			
<u>3207 COUNTRY, CODED</u>	<u>C</u>	an..3	Not used

RFF	REFERENCE
Function: To specify a reference.	

<u>C506REFERENCE</u>	<u>M</u>		
1153 Reference qualifier	M	an..3	See 1153 codes in Appendix A
1154 Reference number	C	an..35	
1156 Line number	C	an..8	Not used
4000 Reference version number	C	an..35	Not used

6.4 Correlations – EDIFACT / Enquiry

A number of different types of message can be sent, depending on the type of enquiry. For each type, only those segments relevant to that particular type of message is required as detailed in the tables below:

SAD Status Request

BOX NO	BOX NAME	POSITION	SEGMENT	ELEMENT	QUALIFIER	QUALIFIER VALUE	EXTERNAL REF LISTS FOR ELEMENTS
-	SAD Status Request Message	0020	BGM	1225			See Enquiry Request Type codes in Customs Technical Reference List
A	Customs Declaration (SAD) Number Assigned by Customs	0020	BGM	1004			
7	Box 7 – Commercial Reference Number	0130	RFF	1154	1153	1153=ABE	
-	Summary Declaration (Manifest) Reference Number Assigned by Customs	0130	RFF	1154	1153	1153=AFB	
31	Transport Type	0060	GIS	7365	1131	1131=146	See Type of Transport Document codes in Trader Guide
31	Transport Document Identifier	0130	RFF	1154	1153	1153=AAS	
-	Trader Number (Tax Type & Reg No)	0280	NAD	3039	3035	3035=CN/CZ/DT	

Previous SAD Request

BOX NO	BOX NAME	POSITION	SEGMENT	ELEMENT	QUALIFIER	QUALIFIER VALUE	EXTERNAL REF LISTS FOR ELEMENTS
-	Previous SAD Request Message	0020	BGM	1225			See Enquiry Request Type Codes in Customs Technical Reference List
A	Customs Declaration (SAD) Number Assigned by Customs	0020	BGM	1004			
-	Trader Number (Tax Type & Reg No)	0280	NAD	3039	3035	3035=CN/CZ/DT	

Previous SAD List Request

BOX NO	BOX NAME	POSITION	SEGMENT	ELEMENT	QUALIFIER	QUALIFIER VALUE	EXTERNAL REF LISTS FOR ELEMENTS
-	Previous SAD List Request Message	0020	BGM	1225			See Enquiry Request Type Codes in Customs Technical Reference List
-	Start Date	0050	DTM	2380	2005 2379	2005=90 2379=102	
-	End Date	0050	DTM	2380	2005 2379	2005=91 2379=102	
1	Declaration Type	0020	BGM	1000	1001 1131	1001=21 1131=105	See Declaration Type codes in Trader Guide
-	Trader Number (Tax Type & Reg No)	0280	NAD	3039	3035	3035=CN/CZ/DT	

Reference Data Request

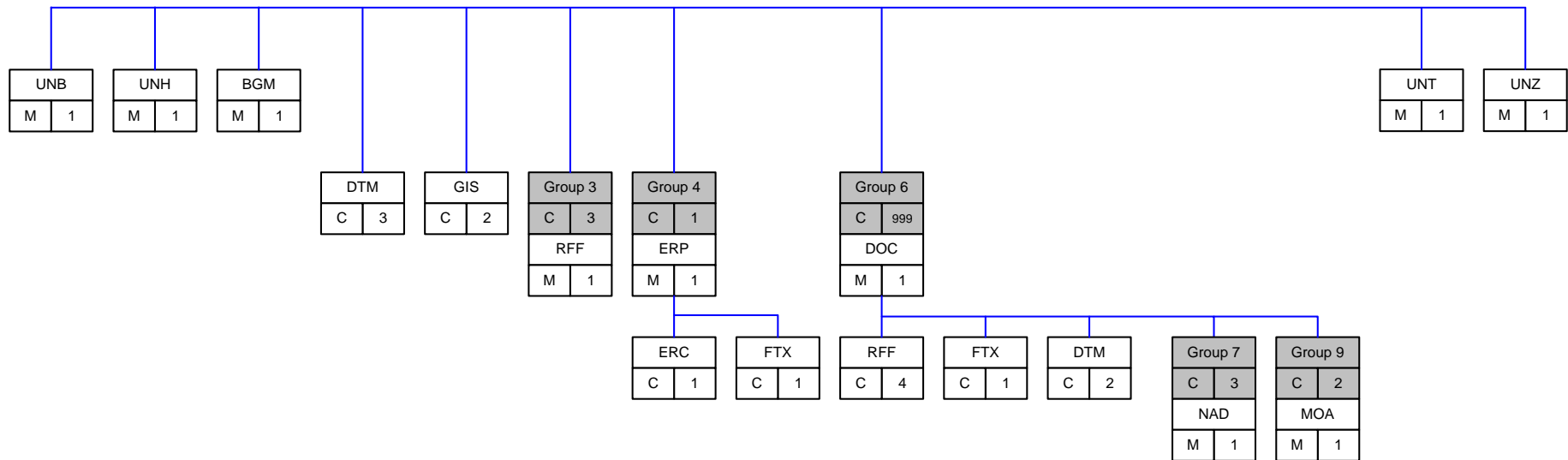
BOX NO	BOX NAME	POSITION	SEGMENT	ELEMENT	QUALIFIER	QUALIFIER VALUE	EXTERNAL REF LISTS FOR ELEMENTS
-	Reference Data Request Message	0020	BGM	1225			See Enquiry Request Type Codes in Customs Technical Reference List
-	Start Date	0050	DTM	2380	2005 2379	2005=90 2379=102	
-	End Date	0050	DTM	2380	2005 2379	2005=91 2379=102	
-	Reference Enquiry Type	0130	RFF	1154	1153	1153=ACD	See Reference Data Type Codes in Customs Technical Reference List

Account Balance Request

BOX NO	BOX NAME	POSITION	SEGMENT	ELEMENT	QUALIFIER	QUALIFIER VALUE	EXTERNAL REF LISTS FOR ELEMENTS
-	Account Balance Request Message	0020	BGM	1225			See Enquiry Request Type Codes in Customs Technical Reference List
-	Trader Number (Tax Type & Reg No)	0130	RFF	1154	1153	1153=ADZ	
-	Account Holder (Tax Type & Reg No)	0130	RFF	1154	1153	1153=ADE	

7. ENQUIRY RESPONSE MESSAGE (CUSEQR)

7.1 Message Structure Diagram



7.2 Segment Outline

Header Section

- 0010 **UNH** Message header
 A service segment starting and uniquely identifying a message. The message type code for the Customs response message is CUSEQR.
- Note: Customs response messages conforming to this document must contain the following data in segment UNH, composite S009:
- Data element 0065 CUSEQR
 0052 D
 0054 96B
 0051 UN
 0057 IED001
- 0020 **BGM** Beginning of message
 A segment identifying the type and the reference number of the message to which the CUSRES is a response.
- 0030 **DTM** Date/time/period
 A segment identifying the relevant dates and times in the message. For example, payment date
- 0070 **GIS** General indicator
 A segment identifying the various customs processing indicators. For example, cargo released, cargo held, examination required, earlier message accepted or rejected, etc.
- 0140 **Group 3: RFF-DTM-LOC**
 A group of segments identifying references, dates and locations related information.
- 0150 **RFF** Reference
 A segment identifying references (e.g. manifest number).
- 0180 **Group 4: ERP-RFF-ERC-FTX**
 A group of segments identifying an application error condition within a message to which the CUSRES is a response.
- 0190 **ERP** Error point details
 A segment identifying the location of an application error within the referenced message.
- 0210 **ERC** Application error information
 A segment identifying the type of application errors within a message.
- 0220 **FTX** Free text
 A segment to provide explanation and/or supplementary information related to the specified application error.

- 0270 **Group 6: DOC-PAC-RFF-PCI-FTX-TDT-LOC-DTM-GIS-MEA-EQD- SG7-SG9-SG10-SG12**
A group of segments specifying goods item details including status of goods, related references, package identification, details of transport, relevant parties, contacts, dates and/or times and location, general indicators, measurements, documentary requirements, monetary amounts, currencies and item taxes, fees and duties.
- 0280 **DOC** Document/message details
A segment to identify the master bill number reported in a multi-consignment message. This segment can also be used to identify the Customs declaration where the CUSRES is responding to multiple declarations.
- 0300 **RFF** Reference
A segment identifying a particular reference, e.g. house of bill number, master bill number.
- 0320 **FTX** Free Text
A segment to provide the goods description.
- 0350 **DTM** Date/time/period
A segment identifying necessary dates.
- 0390 **Group 7: NAD-SG8**
A group of segments identifying information on the party and other contact and communication contact information related only to part of the message.
- 0400 **NAD** Name and address
A segment identifying information about a party related only to a part of the message. For example, in a message with several release notes or in a message related to several declarations, a customs agent and the person responsible for the information.
- 0440 **Group 9: MOA-CUX**
A group of segments identifying the monetary amount, currencies and the rate of exchange, against which duties, taxes or fees are being computed, per item.
- 0450 **MOA** Monetary amount
A segment identifying the monetary amount.

Summary Section

- 0650 **UNT** Message trailer
A service segment ending a message, giving the total number of segments in the message and the control reference number of the message.

7.3 Segment Specification

BGM	BEGINNING OF MESSAGE		
Function: To indicate the type and function of a message and to transmit the identifying number.			

<u>C002DOCUMENT / MESSAGE NAME</u>	C		
1001 Document / message name, coded	C	an..3	See 1001 codes in Appendix A
1131 Code list qualifier	C	an..3	See 1131 codes in Appendix A
3055 Code list responsible agency, coded	C	an..3	Not used
1000 Document / message name	C	an..35	
<u>C106DOCUMENT / MESSAGE IDENTIFICATION</u>	C		
1004 Document / message number	C	an..35	
1056 Version	C	an..9	Not used
1060 Revision number	C	an..6	Not used
<u>1225 MESSAGE FUNCTION, CODED</u>	C	an..3	
<u>4343 RESPONSE TYPE, CODED</u>	C	an..3	Not used

DOC	DOCUMENT / MESSAGE DETAILS		
Function: To identify documents, either printed, electronically transferred, or referenced as specified in message description, including, where relevant, the identification of the type of transaction that will result from this message.			

<u>C002DOCUMENT / MESSAGE NAME</u>	M		
1001 Document / message name, coded	C	an..3	See 1001 codes in Appendix A
1131 Code list qualifier	C	an..3	not used
3055 Code list responsible agency, coded	C	an..3	not used
1000 Document / message name	C	an..35	not used
<u>C503DOCUMENT / MESSAGE DETAILS</u>	C		
1004 Document / message number	C	an..35	not used
1373 Document / message status, coded	C	an..3	not used
1366 Document / message source	C	an..35	not used
3453 Language, coded	C	an..3	not used
<u>3153 COMMUNICATION CHANNEL IDENTIFIER, CODED</u>	C	an..3	not used
<u>1220 NO. OF COPIES OF DOCUMENT REQUIRED</u>	C	n..2	not used
<u>1218 NO. OF ORIGINALS OF DOCUMENT REQUIRED</u>	C	n..2	not used

DTM	DATE / TIME / PERIOD		
Function: To specify date, and / or time, or period.			

<u>C507DATE / TIME / PERIOD</u>	M		
2005 Date / time / period qualifier	M	an..3	See 2005 codes in Appendix A
2380 Date / time / period	C	an..35	
2379 Date / time / period format qualifier	C	an..3	See 2379 codes in Appendix A

ERC	APPLICATION ERROR INFORMATION		
Function: To identify the type of application error within a message.			

<u>C901APPLICATION ERROR DETAIL</u>	M		
9321 Application error identification	M	an..10	
1131 Code list qualifier	C	an..3	Not used

3055 Code list responsible agency, coded C an..3 Not used

ERP	ERROR POINT DETAILS		
Function: A segment to identify the location of an application error within a message			

C701	ERROR POINT DETAILS	C		
1049	Message section, coded	C	an..3	See 1049 codes in Appendix A
1052	Message item number	C	an..35	Not used
1054	Message sub-item number	C	n..6	Not used
C853	ERROR SEGMENT POINT DETAILS	C		
9166	Segment tag	C	an..3	Not used
1050	Segment number	C	an..10	Not used
1159	Sequence number source, coded	C	an..3	Not used

FTX	FREE TEXT		
Function: To provide free form or coded text information.			

4451	TEXT SUBJECT QUALIFIER	M	an..3	See 4451 codes in Appendix A
4453	TEXT FUNCTION, CODED	C	an..3	Not used
C107	TEXT REFERENCE	C		
4441	Free text identification	M	an..17	Not used
1131	Code list qualifier	C	an..3	Not used
3055	Code list responsible agency, coded	C	an..3	Not used
C108	TEXT LITERAL	C		
4440	Free text	C	an..512	
4440	Free text	C	an..512	
4440	Free text	C	an..512	Not used
4440	Free text	C	an..512	Not used
4440	Free text	C	an..512	Not used
3453	LANGUAGE, CODED	C	an..3	Not used

GIS	GENERAL INDICATOR		
Function: To transmit a processing indicator.			

C529	PROCESSING INDICATOR	M		
7365	Processing indicator, coded	C	an..3	
1131	Code list qualifier	C	an..3	See 1131 codes in Appendix A
3055	Code list responsible agency, coded	C	an..3	Not used
7187	Process type identification	C	an..17	Not used

MOA	MONETARY AMOUNT		
Function: To specify a monetary amount.			

C516	MONETARY AMOUNT	M		
5025	Monetary amount type qualifier	M	an..3	See 5025 codes in Appendix A
5004	Monetary amount	C	n..18	
6345	Currency, coded	C	an..3	Not used
6343	Currency qualifier	C	an..3	Not used
4405	Status, coded	C	an..3	Not used

NAD	NAME AND ADDRESS		
Function: To specify the name / address and their related function, either by CO82 only and / or unstructured by CO58 or structured by CO80 thru 3207.			

<u>3035 PARTY QUALIFIER</u>	M	an..3	See 3035 codes in Appendix A
<u>C082PARTY IDENTIFICATION DETAILS</u>	C		
3039 Party id. identification	M	an..35	
1131 Code list qualifier	C	an..3	not used
3055 Code list responsible agency, coded	C	an..3	not used
<u>C058NAME AND ADDRESS</u>	C		
3124 Name and address line	M	an..35	not used
3124 Name and address line	C	an..35	not used
3124 Name and address line	C	an..35	not used
3124 Name and address line	C	an..35	not used
3124 Name and address line	C	an..35	not used
<u>C080PARTY NAME</u>	C		
3036 Party name	M	an..35	not used
3036 Party name	C	an..35	not used
3036 Party name	C	an..35	not used
3036 Party name	C	an..35	not used
3036 Party name	C	an..35	not used
3045 Party name format, coded	C	an..3	not used
<u>C059STREET</u>	C		
3042 Street and number / p.o. box	M	an..35	not used
3042 Street and number / p.o. box	C	an..35	not used
3042 Street and number / p.o. box	C	an..35	not used
3042 Street and number / p.o. box	C	an..35	not used
<u>3164 CITY NAME</u>	C	an..35	not used
<u>3229 COUNTRY SUB-ENTITY IDENTIFICATION</u>	C	an..9	not used
<u>3251 POSTCODE IDENTIFICATION</u>	C	an..9	not used
<u>3207 COUNTRY</u>	C	an..3	not used

RFF	REFERENCE		
Function: To specify a reference.			

<u>C506REFERENCE</u>	M		
1153 Reference qualifier	M	an..3	See 1153 codes in Appendix A
1154 Reference number	C	an..35	
1156 Line number	C	an..6	Not used
4000 Reference version number	C	an..35	Not used

7.4 Correlations – EDIFACT / Enquiry Response

Different response messages are sent depending on the type of enquiry that was submitted. For each type, only those segments relevant to that particular type of message is required, as separated by the double lines in the table. Note that the date/time enquiry processed attribute is necessary for ALL response messages.

SAD Status Response

BOX NO	BOX NAME	POSITION	SEGMENT	ELEMENT	QUALIFIER	QUALIFIER VALUE	EXTERNAL REF LISTS FOR ELEMENTS
-	SAD Status Response	0020	BGM	1225			See Enquiry Response Type Codes in Customs Technical Reference List
-	Status of SAD	0070	GIS	7365	1131	1131=120	See Declaration Status codes in the Customs Technical Reference List
-	Date/Time Enquiry Processed	0030	DTM	2380	2005 2379	2005=9 2379=204	
A	Acceptance Data/Time	0030	DTM	2380	2005 2379	2005=148 2379=204	
A	Customs Declaration (SAD) Number Assigned by Customs	0020	BGM	1004			
7	Box 7 Reference Number	0150	RFF	1154	1153	1153=ABE	
31	Transport Type Code	0070	GIS	7365	1131	1131=146	See Type of Transport Document Codes in Trader Guide
31	Transport Document Number	0150	RFF	1154	1153	1153=AAS	
-	Summary Declaration (Manifest) Reference Number Assigned by Customs	0150	RFF	1154	1153	1153=AFB	
-	Error Code	0210	ERC	9321	ERP(1049)	ERP(1049=2)	See Error List For Enquiries codes in Customs Technical Reference List
-	Field Name	0220	FTX	4440#2	ERP(1049) 4451	ERP(1049=2) 4451=AAO	
-	Validation Error Type Code	0220	FTX	4440#1	ERP(1049) 4451	ERP(1049=2) 4451=AA0	

Previous SAD Response

The response message that returns a previously submitted SAD will be in the form of a CUSDEC message. Please refer to Chapter 4 for more details on this type of message.

Previous SAD List Response

BOX NO	BOX NAME	POSITION	SEGMENT	ELEMENT	QUALIFIER	QUALIFIER VALUE	EXTERNAL REF LISTS FOR ELEMENTS
-	Previous SAD List Response	0020	BGM	1225			See Enquiry Response Type Codes in Customs Technical Reference List
-	Date/Time Enquiry Processed	0030	DTM	2380	2005 2379	2005=9 2379=204	
-	Start Date	0030	DTM	2380	2005 2379	2005=90 2379=102	
-	End Date	0030	DTM	2380	2005 2379	2005=91 2379=102	
-	Declaration Type	0020	BGM	1000	1001 1131	1001=22 1131=105	See Declaration Type codes in Trader Guide
-	Error Code	0210	ERC	9321	ERP(1049)	ERP(1049=2)	See Error List For Enquiries codes in Customs Technical Reference List
-	Field Name	0220	FTX	4440#2	ERP(1049) 4451	ERP(1049=2) 4451=AAO	
-	Validation Error Type Code	0220	FTX	4440#1	ERP(1049) 4451	ERP(1049=2) 4451=AA0	
A	Acceptance Data/Time	0350	DTM	2380	DOC(1001) 2005 2379	DOC(1001=22) 2005=148 2379=204	
A	Customs Declaration (SAD) Number Assigned by Customs	0300	RFF	1154	DOC(1001) 1153	DOC(1001=22) 1153=ABT	
-	Summary Declaration (Manifest) Reference Number Assigned by Customs	0300	RFF	1154	DOC(1001) 1153	DOC(1001=22) 1153=AFB	
31	Transport Document ID	0300	RFF	1154	DOC(1001) 1153	DOC(1001=22) 1153=AAS	
7	Box 7 Reference Number	0300	RFF	1154	DOC(1001) 1153	DOC(1001=22) 1153=ABE	

BOX NO	BOX NAME	POSITION	SEGMENT	ELEMENT	QUALIFIER	QUALIFIER VALUE	EXTERNAL REF LISTS FOR ELEMENTS
2/1	Consignor	0400	NAD	3039	DOC(1001) 3035	DOC(1001=22)3035=CZ	
8/1	Consignee	0400	NAD	3039	DOC(1001) 3035	DOC(1001=22)3035=CN	
14/2	Declarant	0400	NAD	3039	DOC(1001) 3035	DOC(1001=22)3035=DT	
	Total Amount of SAD	0450	MOA	5004	DOC(1001) 5025	DOC(1001=22) 5025=128	

Reference Data Response

BOX NO	BOX NAME	POSITION	SEGMENT	ELEMENT	QUALIFIER	QUALIFIER VALUE	EXTERNAL REF LISTS FOR ELEMENTS
-	Reference Data Response	0020	BGM	1225			See Enquiry Response Type Codes in Customs Technical Reference List
-	Start Date	0030	DTM	2380	2005 2379	2005=90 2379=102	
-	End Date	0030	DTM	2380	2005 2379	2005=91 2379=102	
-	Date/Time Enquiry Processed	0030	DTM	2380	2005 2379	2005=9 2379=204	
-	Data Code	0320	FTX	4440#1	4451	4451=AAI	
-	Data Description	0320	FTX	4440#2	4451	4451=AAI	
-	Reference Data Start Date	0350	DTM	2380	2005 2379	2005=90 2379=102	
-	Reference Data End Date	0350	DTM	2380	2005 2379	2005=91 2379=102	
-	Reference Data Type	0150	RFF	1154	1153	1153=ACD	See Reference Data Type codes in Customs Technical Reference List
-	Error Code	0210	ERC	9321	ERP(1049)	ERP(1049=2)	See Error List For Enquiries codes in Customs Technical Reference List
-	Field Name	0220	FTX	4440#2	ERP(1049) 4451	ERP(1049=2) 4451=AAO	
-	Validation Error Type Code	0220	FTX	4440#1	ERP(1049) 4451	ERP(1049=2) 4451=AAO	

Account Balance Response

BOX NO	BOX NAME	POSITION	SEGMENT	ELEMENT	QUALIFIER	QUALIFIER VALUE	EXTERNAL REF LISTS FOR ELEMENTS
-	Account Balance Response	0020	BGM	1225			See Enquiry Response Type Codes in Customs Technical Reference List
-	Date/Time Enquiry Processed	0030	DTM	2380	2005 2379	2005=9 2379=204	
-	Trader Number (Tax Type & Reg No)	0150	RFF	1154	1153	1153 = ADZ	
-	Account Holder (Tax Type & Reg No)	0150	RFF	1154	1153	1153 = ADE	
-	Deferred Account Balance	0450	MOA	5004	DOC(1001) 5025	DOC(1001=492) 5025=DEF	
-	Cash Account Balance	0450	MOA	5004	DOC(1001) 5025	DOC(1001=492) 5025=CSH	
-	Error Code	0210	ERC	9321	ERP(1049)	ERP(1049=2)	See Error List For Enquiries codes in Customs Technical Reference List
-	Field Name	0220	FTX	4440#2	ERP(1049) 4451	ERP(1049=2) 4451=AAO	
-	Validation Error Type Code	0220	FTX	4440#1	ERP(1049) 4451	ERP(1049=2) 4451=AAO	

Error Response

BOX NO	BOX NAME	POSITION	SEGMENT	ELEMENT	QUALIFIER	QUALIFIER VALUE	EXTERNAL REF LISTS FOR ELEMENTS
-	Error Response	0020	BGM	1225			See Enquiry Response Type Codes in Customs Technical Reference List
-	Date/Time Enquiry Processed	0030	DTM	2380	2005 2379	2005=9 2379=204	
-	Error Code	0210	ERC	9321	ERP(1049)	ERP(1049=2)	See Error List For Enquiries codes in Customs Technical Reference List
-	Field Name	0220	FTX	4440#2	ERP(1049) 4451	ERP(1049=2) 4451=AAO	

BOX NO	BOX NAME	POSITION	SEGMENT	ELEMENT	QUALIFIER	QUALIFIER VALUE	EXTERNAL REF LISTS FOR ELEMENTS
-	Validation Error Type Code	0220	FTX	4440#1	ERP(1049) 4451	ERP(1049=2) 4451=AA0	

8. ERROR MESSAGES

The following section outlines the Edifact messages that will be used to report errors to traders. There are two messages that are described below, the standard CONTRL message, and the APERAK message.

The CONTRL message returned by the Revenue system is the standard syntax 3, UN/Edifact message. The CONTRL message is used to report syntactical errors found in Edifact messages submitted to Revenue systems.

The following website link provides the detailed message specifications of the CONTRL message:

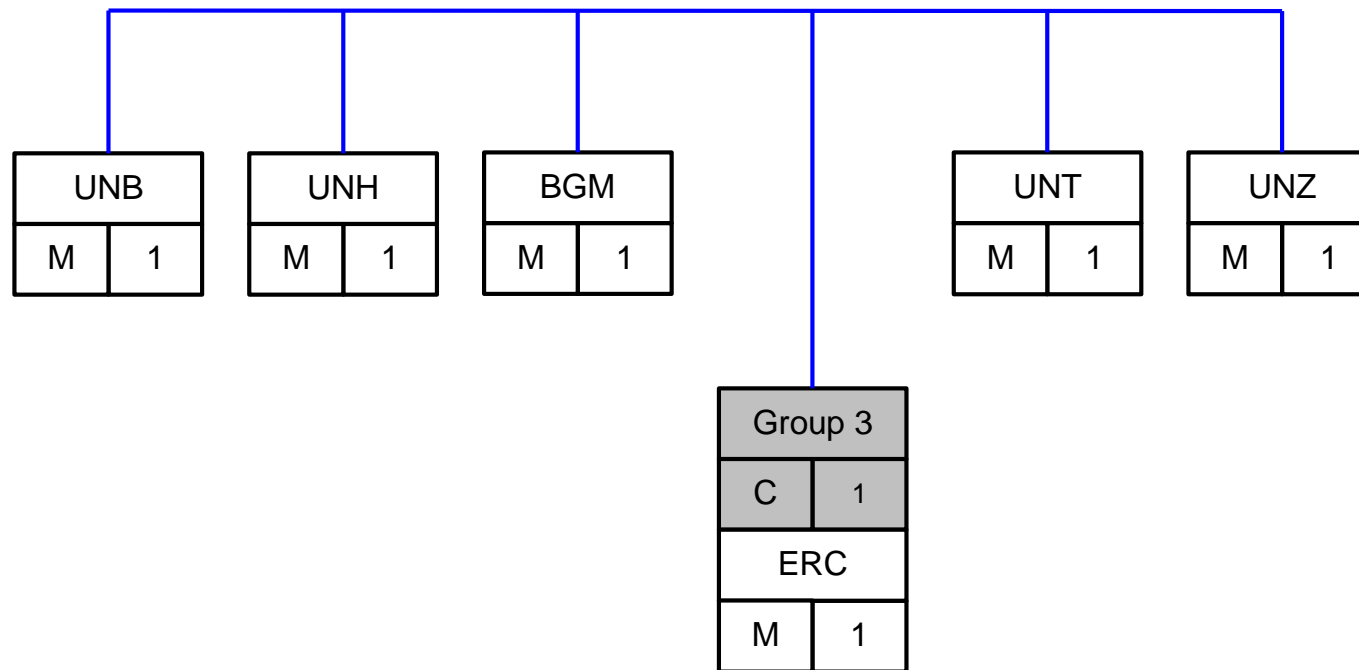
<http://www.gefeg.com/jswg/v3/data/v3-contrl.htm>

The APERAK, Application Error and Acknowledgement Message, is used to return any technical errors that do not conform to the standard Edifact errors, and as such do not fit within the CONTRL message structure. The APERAK is returned for non-functional errors such as where a message version is not supported. The next few sections will define the structure of the APERAK message in detail.

Note: A detailed error management strategy will be published at a later date along with all relevant code lists.

8.1 Application Error and Acknowledgement Message (APERAK)

Message Structure Diagram



Segment Outline

- 0010 **UNH** Message header
 A service segment starting and uniquely identifying a message. The message type code for the Application error and acknowledgement message is APERAK.
 Note: Application error and acknowledgement messages conforming to this document must contain the following data in segment UNH, composite S009:

Data element: 0065 APERAK
 0052 D
 0054 96B
 0051 UN
 0057 IEF001
- 0020 **BGM** Beginning of message
 A segment to indicate the type and function of the message and to transmit the identifying number.
- 0130 **Segment Group 3: ERC-FTX-SG4**
 A group of segments to identify the application error(s) within a specified received message and to give specific details related to the error type or to precise the type of acknowledgement.
- 0140 **ERC** Application error information
 A segment identifying the type of application error or acknowledgement within the referenced message. In case of an error, the error code may specify the error in detail (e.g. a measurement relating to a piece of equipment is wrong) or as a rough indication (e.g. a measurement is wrong).
- 0190 **UNT** Message trailer
 A service segment ending a message, giving the total number of segments in the message and the control reference number of the message.

Segment Specification

BGM	BEGINNING OF MESSAGE		
Function: To indicate the type and function of a message and to transmit the identifying number.			

<u>C002DOCUMENT / MESSAGE NAME</u>			
1001 Document / message name, coded	C	an..3	See 1001 codes in Appendix A
1131 Code list qualifier	C	an..3	Not used
3055 Code list responsible agency, coded	C	an..3	Not used
1000 Document / message name	C	an..35	Not used
<u>C106DOCUMENT / MESSAGE IDENTIFICATION</u>			
1004 Document / message number	C	an..35	Not used
1056 Version	C	an..9	Not used
1060 Revision number	C	an..6	Not used
<u>1225 MESSAGE FUNCTION, CODED</u>			
	C	an..3	Not used
<u>4343 RESPONSE TYPE, CODED</u>			
	C	an..3	Not used

ERC	APPLICATION ERROR INFORMATION		
Function: To identify the type of application error within a message.			

<u>C901APPLICATION ERROR DETAIL</u>			
9321 Application error identification	M	an..10	
1131 Code list qualifier	C	an..3	Not used
3055 Code list responsible agency, coded	C	an..3	See 3055 codes in Appendix A

Correlations – EDIFACT / APERAK Error Response

BOX NO	BOX NAME	POSITION	SEGMENT	ELEMENT	QUALIFIER	QUALIFIER VALUE	EXTERNAL REF LISTS FOR ELEMENTS
n/a	Message Function	0020	BGM	1001	1001	1001 = 963	
n/a	Error Code	0140	ERC	9321	3055	3055 = 110	See Customs Error Messages document.

9. APPENDIX A – EDIFACT REFERENCE CODE LISTS

This section contains the EDIFACT reference code lists. Most of the lists reflect code values connected explicitly with a particular segment element (e.g. there is a code list for elements 6069, 5153 etc.) For example, CZ in the NAD segment means Consignor, CN means Consignee. If one of these qualifiers is used at the start of the NAD segment, then all the following data is related to that qualifier code.

The 1131 code list identifier contains a set of values that are in fact other code lists. This list identifier is usually used where various national, as opposed to international, code sets are being used. The 1131 list identifier is also applied in cases where a segment has a general use and where different code values can apply depending on the segment use (e.g. the GIS segment).

Please note that non-EDIFACT Customs code lists are contained in an external document referenced in section 1.3.

0065 – Message Type

Description: Message Type

Format: an..6

CODE	DESCRIPTION
CUSDEC	SAD Customs Declaration
CUSRES	Customs Response
CUSENQ	Customs Enquiry
CUSEQR	Customs Enquiry Response
APERAK	Customs Application Error and Acknowledgement Message

0057 – Association Assigned Codes

Description: Association assigned codes

Format: an6

CODE	DESCRIPTION
IEA001	Customs Declaration Message
IEB001	Customs Response Message
IEC001	Customs Enquiry Message
IED001	Customs Enquiry Response Message
IEF001	Customs APERAK Error Message

0081 – Detail Indicator

Description: Detail Indicator

Format: an..1

CODE	DESCRIPTION
S	Summary
D	Detail

1001 - Document/message name, coded

Description: Document/message identifier expressed in code.

Format: an..3

CODE	DESCRIPTION
21	Query Self explanatory.
22	Response to query Self explanatory.

CODE	DESCRIPTION
492	Financial Statement of Account Statement giving the status of an account.
960	Single administrative document A set of documents, replacing the various (national) forms for Customs declaration within the EC, implemented on 01-01-1988.
961	General response (Customs) General response message to permit the transfer of data from Customs to the transmitter of the previous message.
963	Error Response (Customs) Error response message to permit the transfer of data from Customs to the transmitter of the previous message

1049 – Message Section, coded

Description: Recognition of a particular part of a message.

Format: an..3

CODE	DESCRIPTION
1	Heading Section General Section.
2	Detail Section of Message Specific Item Section.

1131 - Code list qualifier

Description: Identification of a code list.

Format: an..3

CODE	DESCRIPTION
67	Type of package Indication of the type of package codes.
71	Nature of transaction Identification of the nature of the transaction
105	Customs declaration type Customs code to indicate the type of declaration according to the different customs procedures requested (e.g. import, export, transit).
110	Customs special codes Customs code to indicate an exemption to a regulation or a special Customs treatment.
116	Customs preference Customs code to identify a specific tariff preference.
117	Customs procedure Customs code to identify goods which are subject to Customs control (e.g. home use, Customs warehousing, temporary admission, Customs transit)
120	Customs status of goods Customs code to specify the status accorded by Customs to a consignment e.g. release without further formality, present supporting documents for inspection, etc (CCC).
127	Customs valuation method Customs code to identify the valuation method used to determine the dutiable value of the declared goods
146	Means of transport identification Code identifying the name or number of a means of transport (vessel, vehicle).
153	Methods of payment Identification of methods of payment
160	Party identification Identification of parties, corporates, etc.
P11	Packages in Item This is a dummy code list, used to indicate that the number quoted in element 7365 of the GIS segment is a previous item number where the description of the packages referred to in the current item can be found.

1153 - Reference qualifier

Description: Code giving specific meaning to a reference segment or a reference number.

Format: an..3

CODE	DESCRIPTION
AAS	Transport document number [1188] Reference assigned by the carrier or his agent to the transport document.
ABE	Declarant's reference number Unique reference number assigned to a document or a message by the declarant for identification purposes.
ABI	Deferred payment reference [1168] Reference or indication of the deferred payment of duty/tax
ABJ	Quota number Reference number allocated by a government authority to identify a quota
ABT	Customs declaration number [1426] Number, assigned or accepted by Customs, to identify a Goods declaration.
ACD	Additional reference number Reference number provided in addition to another given reference.
ACE	Related document number Previous Document Reference.
ADE	Account Number Identification Number of an Account
ADZ	Trader account number Number assigned by a Customs authority which uniquely identifies a trader (i.e. importer, exporter or declarant) for Customs purposes.
AFB	Cargo manifest number Reference number assigned to a cargo manifest.
AFD	Customs item number Number (1496 in CST) assigned by the declarant to an item.
AIP	Customs preference inquiry number The number assigned by Customs to a preference inquiry
CW	Package Number (7070) Reference number identifying a package or carton within a consignment

2005 – Date/time/period qualifier

Description: Code giving specific meaning to a date, time or period.

Format: an..3

CODE	DESCRIPTION
9	Processing date/time Date/time of processing
90	Report start date Self explanatory
91	Report end date Self explanatory
137	Document/Message Date/Time (2006) Date/Time when a document/message is issued. This may include authentication.
148	Acceptance date of Goods declaration (Customs) [2036] Date on which a Goods declaration is accepted by Customs in accordance with Customs legislation.

2379 – Date/time/period format qualifier

Description: Specification of the representation of a date, a date and time or of a period.

Format: an..3

CODE	DESCRIPTION
102	CCYYMMDD Calendar date: C = Century ; Y = Year ; M = Month ; D = Day.
204	CCYYMMDDHHMMSS Calendar date including time with seconds: C=Century ; Y=Year ; M=Month ; D=Day ; H=Hour ; M=Minute ; S=Second.

3035 – Party Qualifier

Description: Code giving specific meaning to a party.

Format: an..3

CODE	DESCRIPTION
CN	Consignee: (3132) Party to which goods are consigned.
CZ	Consignor: (3336) Party which, by contract with a carrier, consigns or sends goods with the carrier, or has them conveyed by him. Synonym: shipper, sender.
DT	Declarant: (3140) Party who makes a declaration to an official body or – where legally permitted – in whose name, or on whose behalf, a declaration to an official body is made.

3055 – Code List Responsible Agency, Coded

Description: Code identifying agency responsible for a code list.

Format: an..3

CODE	DESCRIPTION
110	IE, Revenue Commissioners, Customs AEP project Self explanatory.

3227 – Place/location qualifier

Description: Code identifying the function of a location.

Format: an..3

CODE	DESCRIPTION
1	Place of terms of delivery (3018) Point or port of departure, shipment or destination, as required under the applicable terms of delivery, e.g. Incoterms.
14	Location of goods (3384) Place where goods are located and where they are available for examination.
18	Warehouse (3156) Warehouse where a particular consignment has been stored.
22	Customs office of clearance (3080) Place where Customs clearance procedure occur (CCC).
27	Country of origin [3238] Country in which the goods have been produced or manufactured, according to criteria laid down for the purposes of application of the Customs tariff, of quantitative restrictions, or of any other measure related to trade.
35	Country of exportation/despatch (3220) Country from which the goods were initially exported to the importing country without any commercial transaction taking place in intermediate countries. Syn.: country whence consigned. Country of despatch: country from which goods are despatched between countries of a Customs union.
36	Country of ultimate destination (3216) Country known to the consignor or his agent at the time of despatch to be the final country to which the goods are to be delivered.
41	Customs office of entry [3088] Customs office at which the goods enter the country of destination.
42	Customs office of exit [3096] Customs office at which the goods leave the country of dispatch/export.
47	Region of destination Region known to the consignor or his agent at the time of despatch to be the final region to which the goods are to be delivered

4055 –Terms of delivery or transport function, coded

Description: Indication whether the terms relate to e.g. price conditions, delivery conditions, transport conditions, or a combination of these.

Format: an..3

CODE	DESCRIPTION
6	Delivery condition Specifies the conditions under which the goods must be delivered to the consignee

4233 – Marking instructions, coded

Description: Code indicating instructions on how specified packages or physical units should be marked.

Format: an..3

CODE	DESCRIPTION
28	Mark free text Description to be provided

4451 – Text subject qualifier

Description: Code specifying subject of a free text.

Format: an..3

CODE	DESCRIPTION
AAA	Goods description [7002] Plain language description of the nature of the goods sufficient to identify them at the level required for banking, Customs, statistical or transport purposes, avoiding unnecessary detail (Generic term).
AAI	General Information Self explanatory.
AAO	Error description (free text) Error described by a free text.
AAP	Response (free text) Free text of the response to a communication.
ACB	Additional information Self explanatory.

5025-Monetary amount type qualifier

Description: Indication of type of amount.

Format: an..3

CODE	DESCRIPTION
5	Adjusted amount The amount specified is the adjusted amount
38	Invoice item amount (5068) Total sum charged in respect of a single Invoice item in accordance with the terms of delivery.
39	Invoice total amount [5444] Total sum charged in respect of one or more Invoices in accordance with the terms of delivery.
123	Statistical value [5218] Value declared for statistical purposes of those goods in a consignment which have the same statistical heading and country of origin.
128	Total Amount The amount specified is the total amount.
161	Duty, tax or fee amount Amount of duty, tax or fee.
DEF	Deferred Account Balance Customs Deferred A/C balance.
CSH	Cash Account Balance Customs Cash A/C balance.

5283 - Duty/tax/fee function qualifier

Description: Code identifying the function of an duty, tax or fee information.

Format: an..3

CODE	DESCRIPTION
1	Individual duty, tax or fee (Customs item) Individual duty, tax or fee charged on a single Customs item line of the goods declaration (CCC).
3	Total of each duty, tax or fee type (Customs declaration) Total of each duty, tax or fee charged on the goods declaration (CCC).

6069 - Control qualifier

Description: Determines the source data elements in the message, which forms the basis for 6066 Control value.

Format: an..3

CODE	DESCRIPTION
5	Number of Customs item detail lines Total number of occurrences of the Customs item detail section within a single Customs declaration message.

6311 - Measurement application qualifier

Description: Specification of the application of the physical measurement

Format: an..3

CODE	DESCRIPTION
AAS	2nd specified tariff quantity Secondary reportable quantity associated with a tariff number.
WT	Weights

6313 - Measurement dimension, coded

Description: Specification of the type of dimension to be measured

Format: an..3

CODE	DESCRIPTION
AAA	Unit net weight [6160] Weight (mass) of goods including any packing normally going with them to a buyer in a retail sale
AAB	Unit gross weight [6292] Weight (mass) of goods including packing but excluding the carrier's equipment.

6347 – Currency Details Qualifier

Description: Specification of the usage to which the currency relates

Format: an..3

CODE	DESCRIPTION
2	Reference currency The currency applicable to amounts stated. It may have to be converted.

6411 - Measurement unit qualifier

Description: Specification of the unit of the physical measurement

Format: an..3

CODE	DESCRIPTION
SPU	Supplementary Units – Number of units This is a dummy code, used to indicate that the number quoted in element 6314 of the MEA segment is the number of units in box 41 – Supplementary Units.
KGR	Kilograms

7077 Item description type, coded

Description: Code indicating the format of a description

Format: an..3

CODE	DESCRIPTION
E	Free-form short descriptions Short description of an item in free form

8051 - Transport stage qualifier

Description: Qualifier giving a specific meaning to the transport details.

Format: an..3

CODE	DESCRIPTION
1	Inland transport Transport by which goods are moved from or to the frontier, or between inland points.
11	At border Transport by which goods are moved to the Customs frontier.
12	At departure Transport by which goods are moved from the place of Departure.
13	At destination Transport by which goods are moved at the place of destination.

8053 - Equipment qualifier

Description: Code identifying type of equipment

Format: an..3

CODE	DESCRIPTION
CN	Container Equipment item as defined by ISO for transport. It must be of: A) permanent character, strong enough for repeated use; B) designed to facilitate the carriage of goods, by one or more modes of transport, without intermediate reloading; C) fitted with devices for its ready handling, particularly

10. APPENDIX B: DEVIATIONS FROM EDIFACT D96B SPECIFICATION

This section contains the deviations that Customs have chosen to undertake in order to satisfy the requirements of SAD 2006. Differences between the current D96B specification and the EDIFACT messages described in this document will first be outlined per message.

10.1 SAD Declaration Message (CUSDEC)

Message Structure Diagram

- a. LOC segment at position 0040 occurrence has been changed from C99 to C7.
- b. DTM segment at position 0050 occurrence has been changed from C15 to C2.
- c. GIS segment at position 0060 occurrence has been changed from C25 to C5.
- d. Segment Group 1 occurrence has been changed from C99 to C4.
- e. Segment Group 4 occurrence has been changed from C5 to C3.
- f. Segment Group 6 occurrence has been changed from C10 to C3.
- g. LOC segment at position 0340 occurrence has been changed from C2 to C1.
- h. Segment Group 8 occurrence has been changed from C25 to C1.
- i. Segment Group 30 occurrence has been changed from C9999 to C100.
- j. LOC segment at position 1240 occurrence has been changed from C25 to C2.
- k. MEA segment at position 1260 occurrence has been changed from C20 to C3.
- l. Segment Group 31 occurrence has been changed from C10 to C1.
- m. Segment Group 32 occurrence has been changed from C999 to C1.
- n. Segment Group 33 occurrence has been changed from C25 to C1.
- o. Segment Group 35 occurrence has been changed from C999 to C1.
- p. RFF segment at position 1400 occurrence has been changed from C1 to C2.
- q. FTX segment at position 1460 occurrence has been changed from C5 to C1.
- r. Segment Group 40 occurrence has been changed from C25 to C5.
- s. Segment Group 41 occurrence has been changed from C10 to C99.
- t. MOA segment at position 1660 occurrence has been changed from C2 to C1.
- u. CNT segment at position 1930 occurrence has been changed from C5 to C1.
- v. FTX segment at position 1230 occurrence has been changed from C9 to C300.
- w. Segment Group 37 occurrence has been changed from C25 to C50.

Message Specification

- a. DOC segment, element 1001 will now contain Revenue code list values. It is important to note that when the DOC segment is used, no EDIFACT code is entered for the 1001 element for a CUSDEC message. Element 1001 format size has changed from 3 to 4 to accommodate revenue requirements.
- b. FTX segment, 4440 element format has been changed to be forward compatible with EDIFACT D99B specification, in order to accommodate some fields in SAD 2006.
- c. RFF segment, 1156 element has been increased to an8 to accommodate revenue requirements for Box 31 – unique LP reference number
- d. GIS segment, 7365 element has been changed from mandatory to conditional to accommodate revenue requirements.
- e. BGM 1225 will now contain Revenue code list values. It is important to note that when the BGM segment is used, no EDIFACT code is entered for the 1225 element for the CUSRES message.
- f. DOC segment, 1004 element size has been increased to accommodate revenue requirements for Box 44 – Certificate Serial Number.

10.2 SAD Response Message (CUSRES)

Message Structure Diagram

- a. DTM segment at position 0030 occurrence has been changed from C9 to C2.
- b. FTX segment at position 0040 occurrence has been changed from C9 to C1.
- c. GIS segment at position 0070 occurrence has been changed from C10 to C1.
- d. Segment Group 3 occurrence has been changed from C999 to C4.
- e. Segment Group 4 occurrence has been changed from C99 to C999.
- f. RFF segment at position 0200 occurrence has been changed from C9 to C1.
- g. ERC segment at position 0210 occurrence has been changed from C99 to C1.
- h. FTX segment at position 0220 occurrence has been changed from C99 to C1.
- i. MOA segment at position 0250 occurrence has been changed from C99 to C1.
- j. GIS segment at position 0260 occurrence has been changed from C99 to C1.

Message Specification

- a. FTX segment, 4440 element format has been changed to be forward compatible with EDIFACT D99B specification, in order to accommodate some fields in SAD 2006.
- b. BGM 1225 will now contain Revenue code list values. It is important to note that when the BGM segment is used, no EDIFACT code is entered for the 1225 element for the CUSRES message.
- c. GIS segment, 7365 element has been changed from mandatory to conditional to accommodate revenue requirements.
- d. CNT segment, 6066 element format has changed from numeric to alphanumeric to accommodate revenue requirements.
- e. CST segment, 1496 element format has been changed from numeric to alphanumeric to accommodate revenue requirements.
- f. ERC segment, 9321 element format size has changed from AN8 to AN10 to accommodate revenue requirements.

10.3 Enquiry Message (CUSENQ)

Message Structure Diagram

- a. DTM segment at position 0050 occurrence has been changed from C15 to C2.
- b. GIS segment at position 0060 occurrence has been changed from C25 to C1.
- c. Segment Group 1 occurrence has been changed from C99 to C3.
- d. Segment Group 6 occurrence has been changed from C10 to C1.

Message Specification

- a. BGM 1225 will now contain Revenue code list values. It is important to note that when the BGM segment is used, no EDIFACT code is entered for the 1225 element for the CUSENQ message.
- b. GIS segment, 7365 element has been changed from mandatory to conditional to accommodate revenue requirements.

10.4 Enquiry Response Message (CUSEQR)

Message Structure Diagram

- a. DTM segment at position 0030 occurrence has been changed from C9 to C3.
- b. GIS segment at position 0070 occurrence has been changed from C10 to C2.
- c. Segment Group 3 occurrence has been changed from C999 to C3.
- d. Segment Group 4 occurrence has been changed from C99 to C1.
- e. ERC segment at position 0210 occurrence has been changed from C99 to C1.
- f. FTX segment at position 0220 occurrence has been changed from C99 to C1.
- g. Segment Group 6 occurrence has been changed from C9999 to C999.
- h. RFF segment at position 0300 occurrence has been changed from C9 to C4.
- i. FTX segment at position 0320 occurrence has been changed from C9 to C1.
- j. DTM segment at position 0350 occurrence has been changed from C9 to C2.
- k. Segment Group 7 occurrence has been changed from C9 to C3.
- l. Segment Group 9 occurrence has been changed from C99 to C2.

Message Specification

- a. FTX segment, 4440 element format has been changed to be forward compatible with EDIFACT D99B specification, in order to accommodate some fields in SAD 2006.
- b. BGM 1225 will now contain Revenue code list values. It is important to note that when the BGM segment is used, no EDIFACT code is entered for the 1225 element for the CUSEQR message.
- c. GIS segment, 7365 element has been changed from mandatory to conditional to accommodate revenue requirements.
- d. ERC segment, 9321 element format size has changed from AN8 to AN10 to accommodate revenue requirements.

10.5 Application Error and Acknowledgement Message (APERAK)

Message Structure Diagram

- a. Segment Group 3 occurrence has changed from C99999 to C1.

Message Specification

- a. ERC segment, 9321 element format size has changed from AN8 to AN10 to accommodate revenue requirement